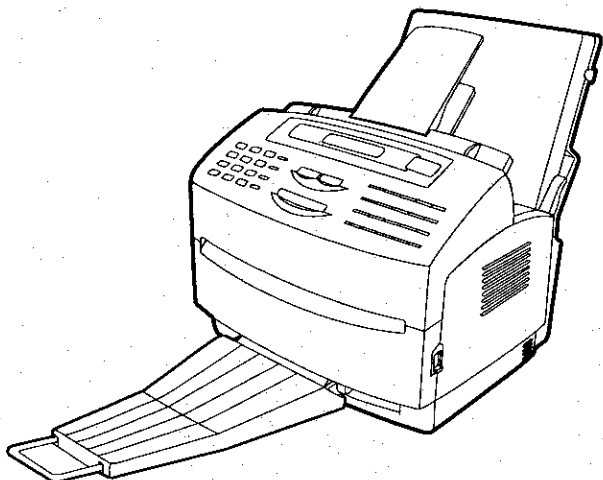


# SHARP PARTS GUIDE

CODE:00ZFO2850/P1E



**MULTI FUNCTION  
LASER PRINTER**

**MODEL FO-2850**

## CONTENTS

- |                               |                                  |
|-------------------------------|----------------------------------|
| 1 Cabinet and PWB section     | 8 Fusing unit                    |
| 2 Panel section               | 9 Packing material & Accessories |
| 3 Upper guide                 | 10 Main PWB Unit                 |
| 4 Scanner section             | 11 Panel PWB Unit                |
| 5 Printer unit                | 12 PS-PCU PWB Unit               |
| 6 Printer Upper frame section | 13 CCD PWB Unit                  |
| 7 Printer Lower frame section | ■ Index                          |

**SHARP CORPORATION**

This document has been published to be used for after sales service only. The contents are subject to change without notice.

## DEFINITION

The definition of each Rank is as follows and also noted in the list

- A: Parts necessary to be stocked as High usage parts.
- B: Parts necessary to be stocked as Standard usage parts.
- C: Low usage parts.
- D: Parts necessary for refurbish.
- E: Unit parts recommended to be stocked for efficient after sales service.

Please note that the lead time for the said parts may be longer than normal parts.

S: Consumable parts.

Please note that the following parts used in Copier under the same description are classified into A or B Rank depending upon the place used.

Example: Gear made of Metal, Sprocket, Bearing, Belt made of Rubber, Spring clutch mechanism.

A Rank : The parts which may be with the revolution or loading.

B Rank : Parts similar to A Rank parts, but are not included in Rank A.

Because parts marked with "△" is indispensable for the machine safety maintenance and operation, it must be replaced with the parts specific to the product specification.

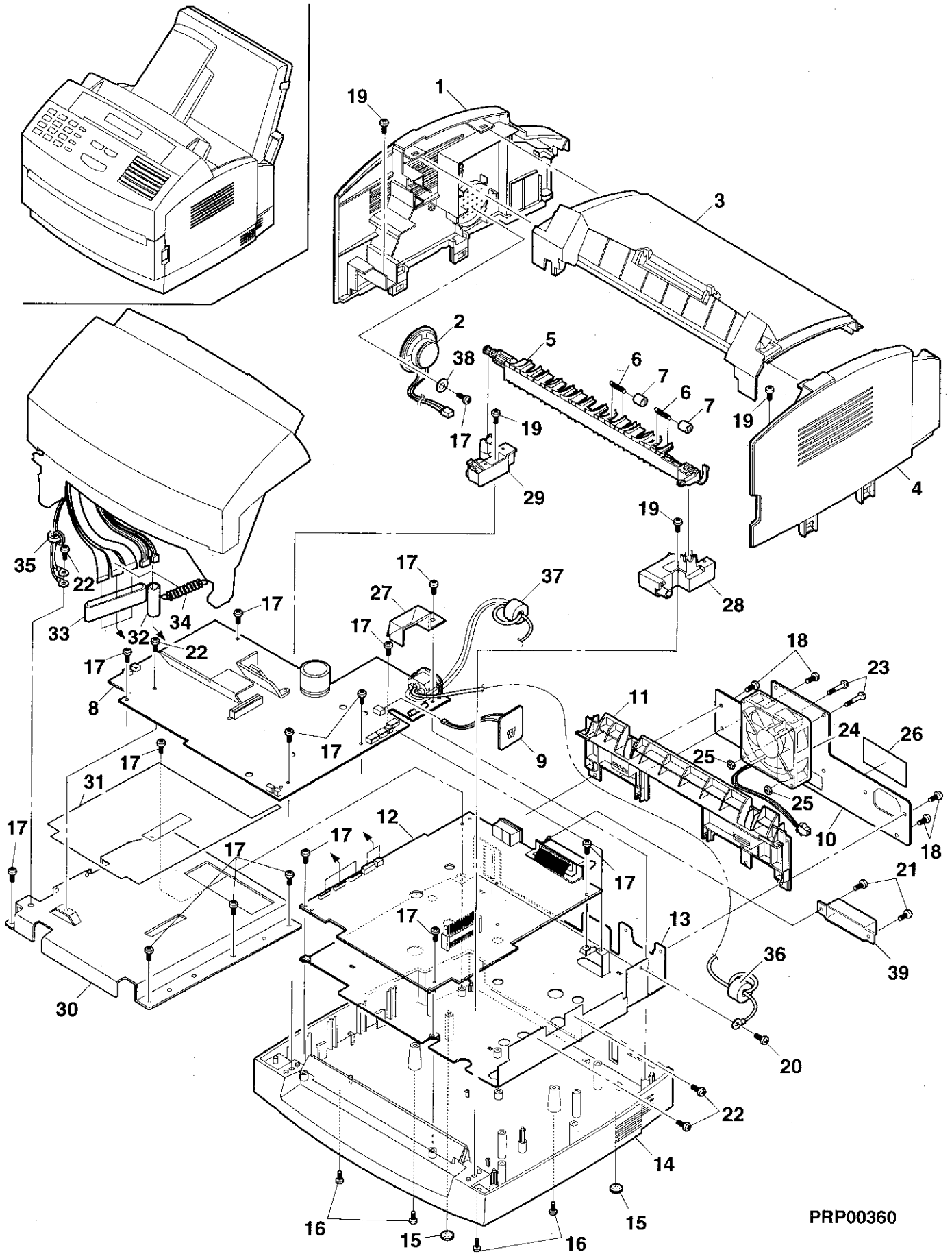
- Other than this Parts Guide, please refer to documents Service Manual of this model.
- Please use the 13 digit code described in the right hand corner of front cover of the document, when you place and order.
- For U.S. only-Use order codes provided in advertising literature.

Do not order from parts department.

### 1 Cabinet and PWB section

NO.	PARTS CODE	PRICE RANK	NEW MARK	PART RANK	DESCRIPTION
1	GCABC7047XCFZ	AR	N	D	Left cabinet
2	DUNTK7431XCZZ	AQ		E	Speaker unit
3	GCABA7045XCFZ	AZ	N	D	Top cabinet
4	GCABB7046XCFZ	AR	N	D	Right cabinet
5	PGIDM7048XCZZ	AL		C	Guide
6	MSPRT0226GCAZ	AA		C	FU roller spring
7	NR0LP0093GCZZ	AC		C	FU roller-B
8	CPWBF1094XC51	BX	N	E	PS PCU PWB unit
9	CPWBF1094XC61	AV		E	Thermistor PWB unit
10	LPLTM7058XCZA	AH		C	Rear plate
11	GCABG7051XCFZ	AN	N	D	Rear cabinet
12	CPWBX1089XC53	CK	N	E	Main PWB unit
13	PCASZ7002XCZA	AR		C	Shield case
14	GCABD7048XCFZ	AZ	N	D	Bottom cabinet
15	GLEGG7006XCZZ	AC		C	Rubber foot
16	XEBSF30P10000	AA		C	Screw (3×10)
17	XEBSE30P08000	AA		C	Screw (3×8)
18	XHBSE30P08000	AA		C	Screw (3×8)
19	XEBSD40P10000	AA		C	Screw (4×10)
20	XBP SN40P06K00	AA		C	Screw (4×6K)
21	XBP SN30P06000	AA		C	Screw (3×6)
22	XHBSD30P06000	AA		C	Screw (3×6)
23	XBPSE30P28000	AA		C	Screw (3×28)
24	NFANP7014XCZZ	AW		B	Fan
25	XNESD30-24000	AA		C	Nut (φ3)
26	TCAUA0770FCZZ	AB		C	Service caution label
27	PC0VP7030XCZZ	AC		C	Fuse cover
28	MHNG-7008XCFZ	AF	N	C	Hinge R
29	MHNG-7007XCFZ	AF	N	C	Hinge L
30	PSLDM7026XCZZ	AQ		C	PWB cover shield plate
31	PSHEP7208XCZZ	AH		C	PCU inslater sheet
32	RCORF7018XCZZ	AG		C	Motor cable core (FR18/10/28)
33	RCORF7017XCZZ	AK		C	Flat cable core (NQF-58/12)
34	MSPRT7147XCZZ	AC		C	Core supprt spring
35	RCORF7019XCZZ	AE		C	Earth cable core (FR 13/7/12.7)
36	RCORF7015XCZZ	AF		C	Feright core (K32,FR16.5/8/16)
37	RCORF7020XCZZ	AG		C	AC inlet core(K32,FR23,8/11,4/14)
38	LX-WZ7012XCZZ	AB	N	C	Washer (3×15×1)
39	GCOVA7041XCZZ	AF	N	C	Connector cover

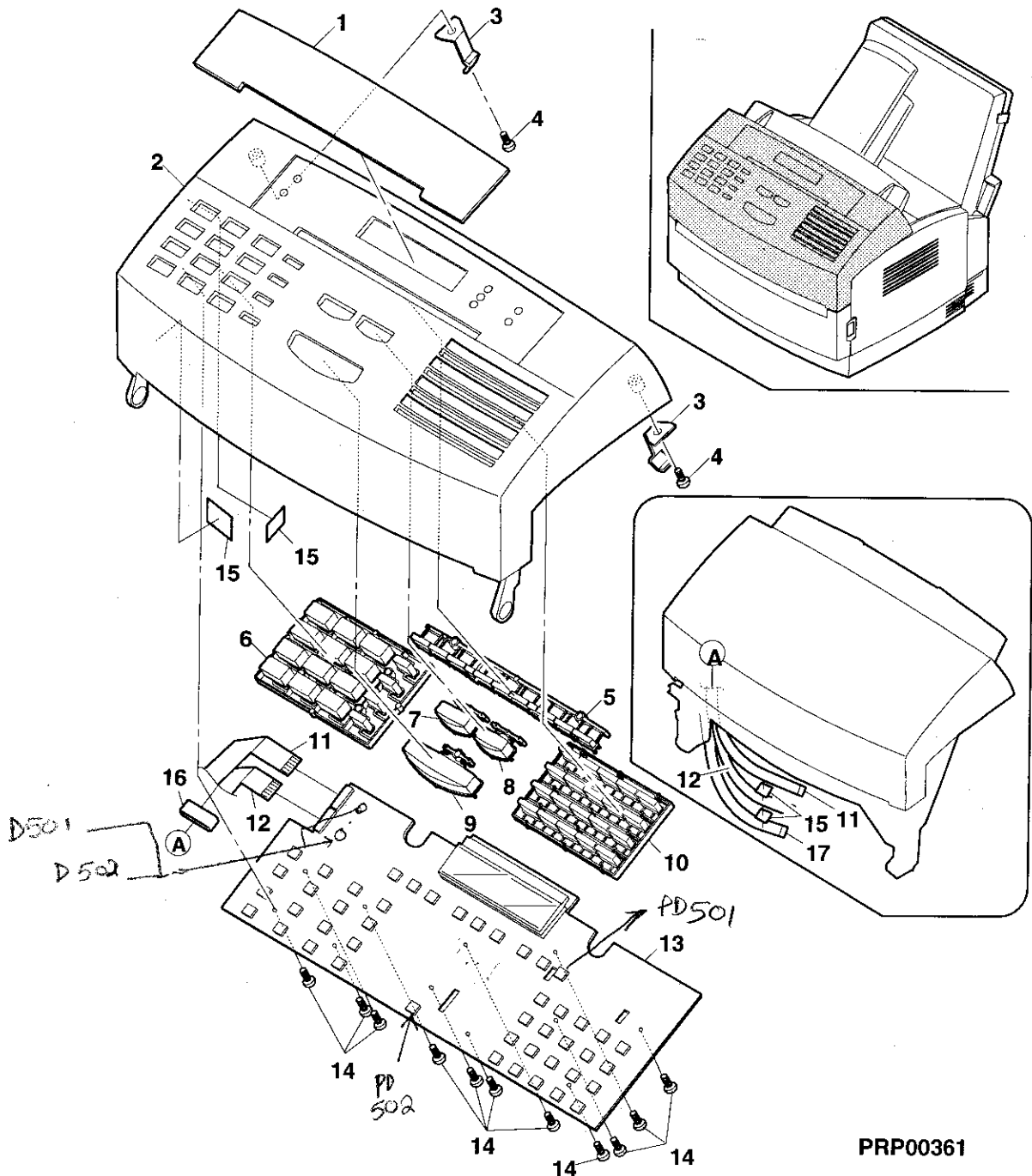
1 Cabinet and PWB section



PRP00360

2 Panel section

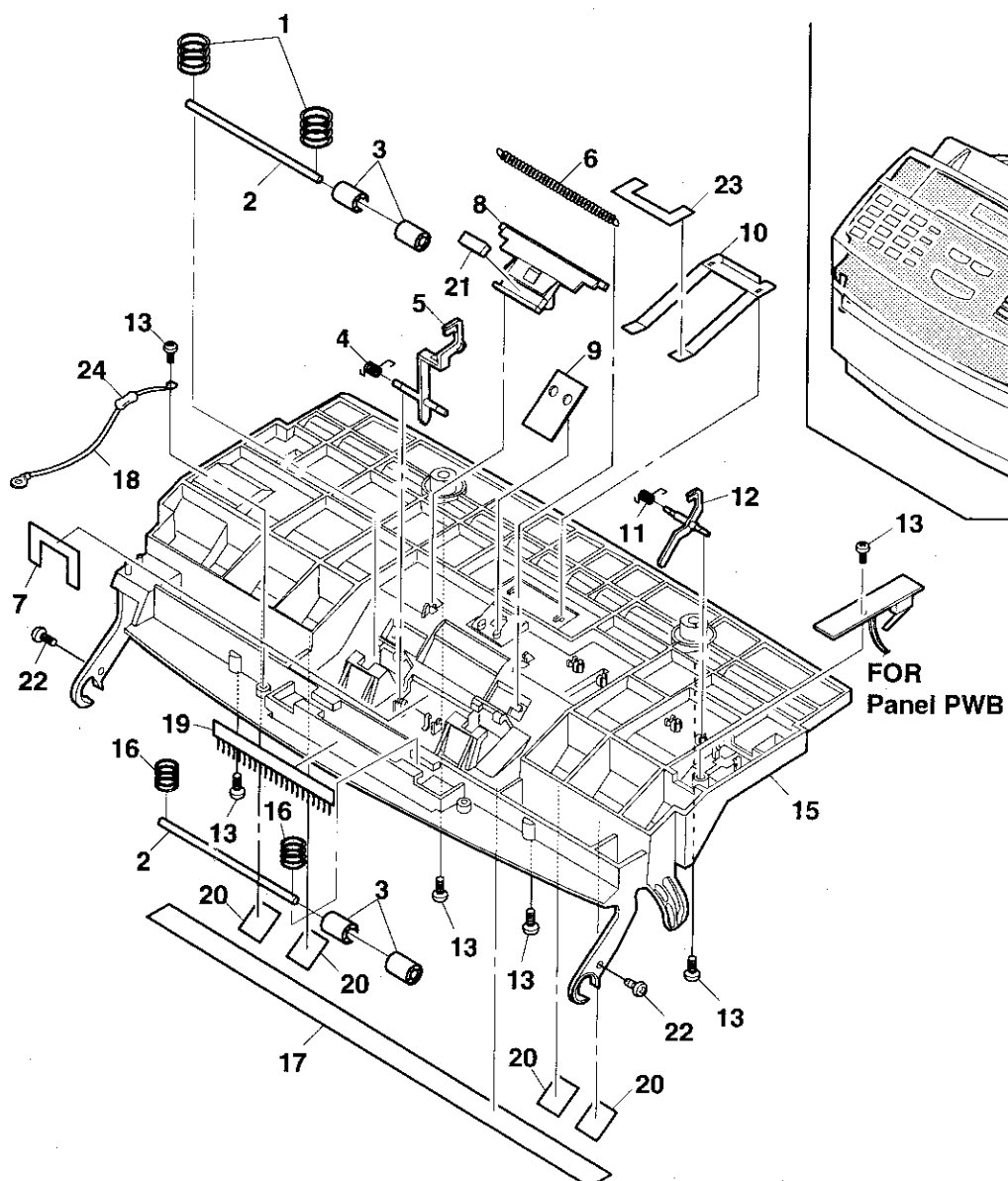
NO.	PARTS CODE	PRICE RANK	NEW MARK	PART RANK	DESCRIPTION
1	HPNLH7026XCFZ	AQ	N	D	DEC. panel
2	GCABF7050XCFZ	AY	N	D	Panel cabinet upper
3	MSPRP7136XCZZ	AE		C	Lock spring
4	XEBSD30P06000	AA		C	Screw (3x6)
5	JBTN-7018XCZZ	AK		C	Key top (function)
6	JBTN-7013XCFZ	AN	N	C	Key top (10)
7	JBTN-7016XCFZ	AG	N	C	Key top (copy)
8	JBTN-7015XCZZ	AG		C	Key top (stop)
9	JBTN-7014XCZZ	AG		C	Key top (start)
10	JBTN-7017XCFZ	AH	N	C	Key top (one touch)
11	QCNW-7230XCZZ	AW		C	Panel cable A (13P)
12	QCNW-7231XCZZ	AV		C	Panel cable B (14P)
13	CPWBF1091XC52	BM	N	E	Panel PWB unit
14	XEBSD20P08000	AA		C	Screw (2x8)
15	PTPE-0016GCAZ	AB		C	Tape
16	RCORF7016XCZZ	AG		C	Panel cable core (NQF 33.5/12)
17	QCNW-7232XCZZ	AT		C	CCD FFC cable (11Pin)



PRP00361

## 3 Upper guide

NO.	PARTS CODE	PRICE RANK	NEW MARK	PART RANK	DESCRIPTION
1	MSPRC7129XCZA	AC		C	Paper feed pinch pressure spring
2	NSFTZ7062XCZZ	AE		C	Paper feed pinch roller shaft
3	NRÖLP0059GCZZ	AC		C	FU PSV roller
4	MSPRD7140XCZZ	AC		C	P1 sensor lever spring
5	MLEVP7022XCZZ	AE		C	P1 sensor lever
6	MSPRT7127XCZA	AD		C	Separator pressure spring
7	PSHEP7197XCZZ	AC		C	Delivery upper guide sheet
8	LFI X-7030XCZZ	AE		C	Separator sheet fixing plate
9	LPLTG2707SCZZ	AE		C	Separator sheet
10	MSPRP7128XCZB	AF	N	C	Original fixing plate spring
11	MSPRD7126XCZZ	AC		C	P sensor lever spring
12	MLEVP7021XCZZ	AE		C	P sensor lever
13	XEBSE30P08000	AA		C	Screw (3x8)
15	PGIDM7044XCFA	AT	N	C	Upper guide
16	MSPRC7130XCZA	AB		C	Discharge pinch spring
17	PSHEZ7186XCZZ	AC		C	Read side sheet
18	QCNW-7213XCZZ	AD		C	Discharge Earth wire (PS)
19	PBRSS7009XCZZ	AK		B	Discharge brush
20	PSHEP7201XCZZ	AC		C	Original fixing sheet
21	PCUSU7020XCZZ	AB		C	Cushion
22	XEBSD20P06000	AA		C	Screw (2x6)
23	PSHEP7214XCZZ	AC		C	Sheet
24	VRD-HT2EY104J	AA		C	Resistor (1/4W 100KΩ ±5%)

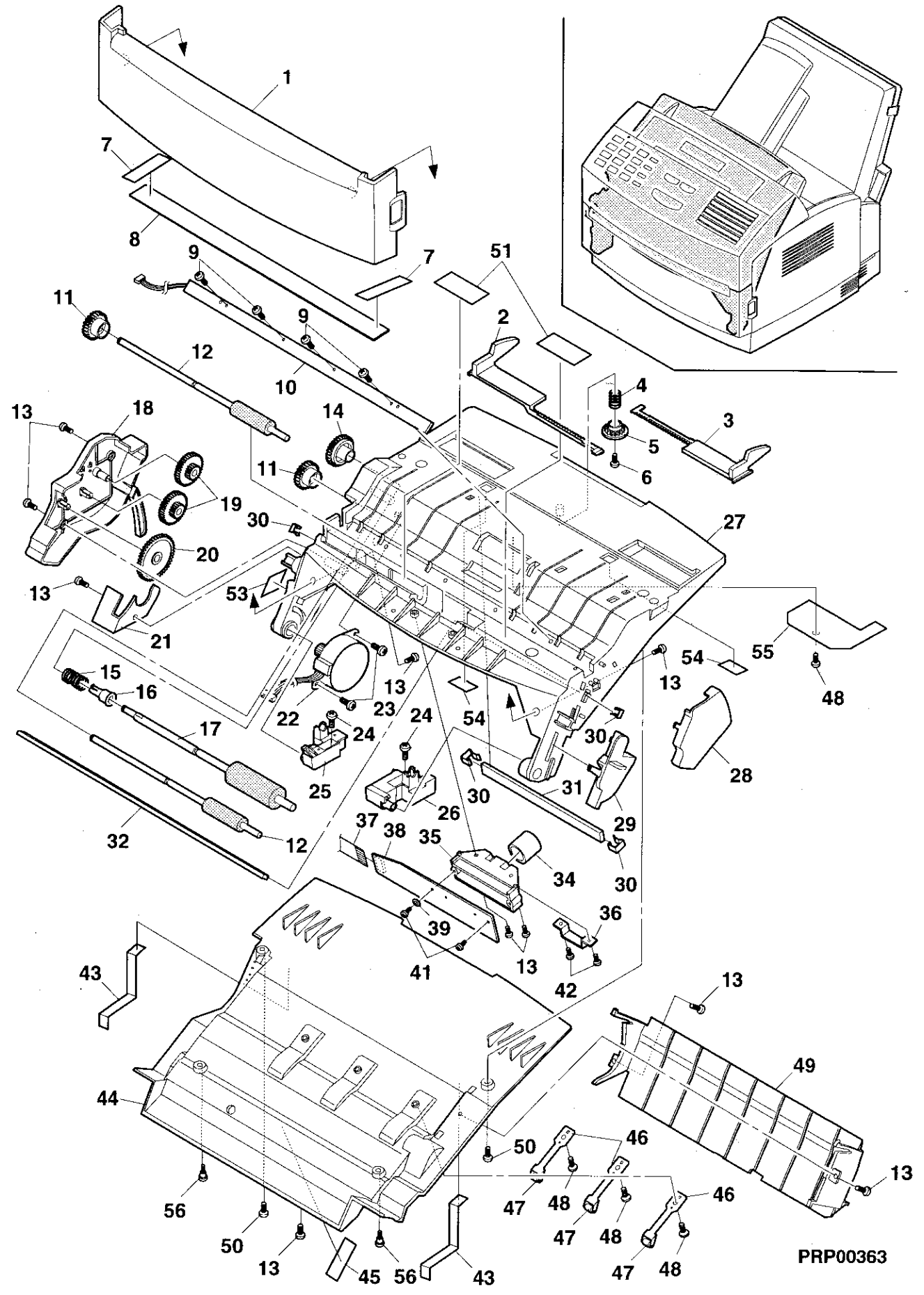


PRP00362

## 4 Scanner section

NO.	PARTS CODE	PRICE RANK	NEW MARK	PART RANK	DESCRIPTION
1	GCABE7049XCFZ	AN	N	D	Panel cabinet lower
2	PGIDM7045XCFZ	AE	N	C	Original paper guide L
3	PGIDM7046XCFZ	AE	N	C	Original paper guide R
4	MSPRC7132XCZA	AB		C	Guide gear spring
5	NGERH7052XCZZ	AE		C	Guide gear
6	LX-BZ7056XCZZ	AC		C	Screw (M2.6)
7	PSHEP7196XCZA	AB		C	Cover glass fixing sheet
8	PGLSP7008XCZZ	AG		B	Cover glass
9	XEP3D26P06000	AA		C	Screw (2.6x6)
10	DUNTK7466XCZZ	BA	N	E	LED PWB Unit
11	NGERH7051XCZZ	AE		C	Feed roller gear
12	NRÖLR7042XCZZ	AN		C	Paper feeding roller
13	XEBSE30P08000	AA		C	Screw (3x8)
14	NGERH7050XCZZ	AE		C	Separator roller gear
15	MSPRC7131XCZZ	AC		C	Clutch spring
16	LBÖSZ7018XCZZ	AD		C	Clutch boss
17	NRÖLR7041XCZZ	AP		C	Separator roller
18	LPLTP7059XCFZ	AF	N	C	Gear plate
19	NGERH7053XCZZ	AE		C	Reduction gear
20	NGERH7054XCZZ	AD		C	Idle gear
21	LPLTM7061XCZZ	AD		C	FFC fixing plate
22	RMÖTZ7024XCZZ	AV		B	Motor
23	XHBSD30P06000	AA		C	Screw (3x6)
24	XEBSD40P10000	AA		C	Screw (4x10)
25	MHNG-7007XCFZ	AF	N	C	Hinge L
26	MHNG-7008XCFZ	AF	N	C	Hinge R
27	PGIDM7047XCFA	AZ	N	C	Lower guide
28	LHLDZ7047XCFZ	AG	N	C	Lamp holder
29	MLEVP7023XCFZ	AD	N	C	Flap lever
30	LFIX-7032XCZZ	AD		C	Mirror fixing plate
31	PMIR-7031XCZZ	AH		B	2nd mirror
32	PMIR-7030XCZZ	AH		B	1st mirror
34	PLNS-7018XCZZ	AY		B	Lens
35	LHLDZ7046XCZZ	AF		C	Lens holder
36	LFIX-7031XCZA	AD		C	Lens fixing plate
37	QCNW-7232XCZZ	AT		C	CCD FFC cable (11Pin)
38	CPWBF1094XC71	BF	N	E	CCD PWB unit
39	XWHSD30-05080	AA		C	Washer (3W)
41	LX-BZ2182SCZZ	AB		C	Screw (M3)
42	XEB3330P08000	AA		C	Screw (3x8)
43	PSHEP0156GCZZ	AD		C	FD sheet
44	PCÖVP7029XCFZ	AU	N	C	Scanner bottom cover
45	PSHEP7194XCZA	AC		C	Bottom cover sheet
46	MSPRP7135XCZZ	AD		C	FD PSV spring
47	NRÖLP0037GCZZ	AB		C	Delivery roller
48	XEP3D30P05000	AA		C	Screw (3x5)
49	LSÖU-7001XCFZ	AN	N	D	FD tray
50	XESSE26P06000	AA		C	Screw (2.6x6)
51	PSHEP7198XCZZ	AC		C	Delivery lower guide sheet
53	PTPE-0016GCAZ	AB		C	Tape
54	PSHEP7212XCZZ	AC		C	Sheet
55	PCÖVP7034XCZA	AC		C	Roller cover
56	LX-BZ0028GCZ1	AC		C	Screw
57	LX-WZ5028BCZZ	AA		C	Washer

4 Scanner section

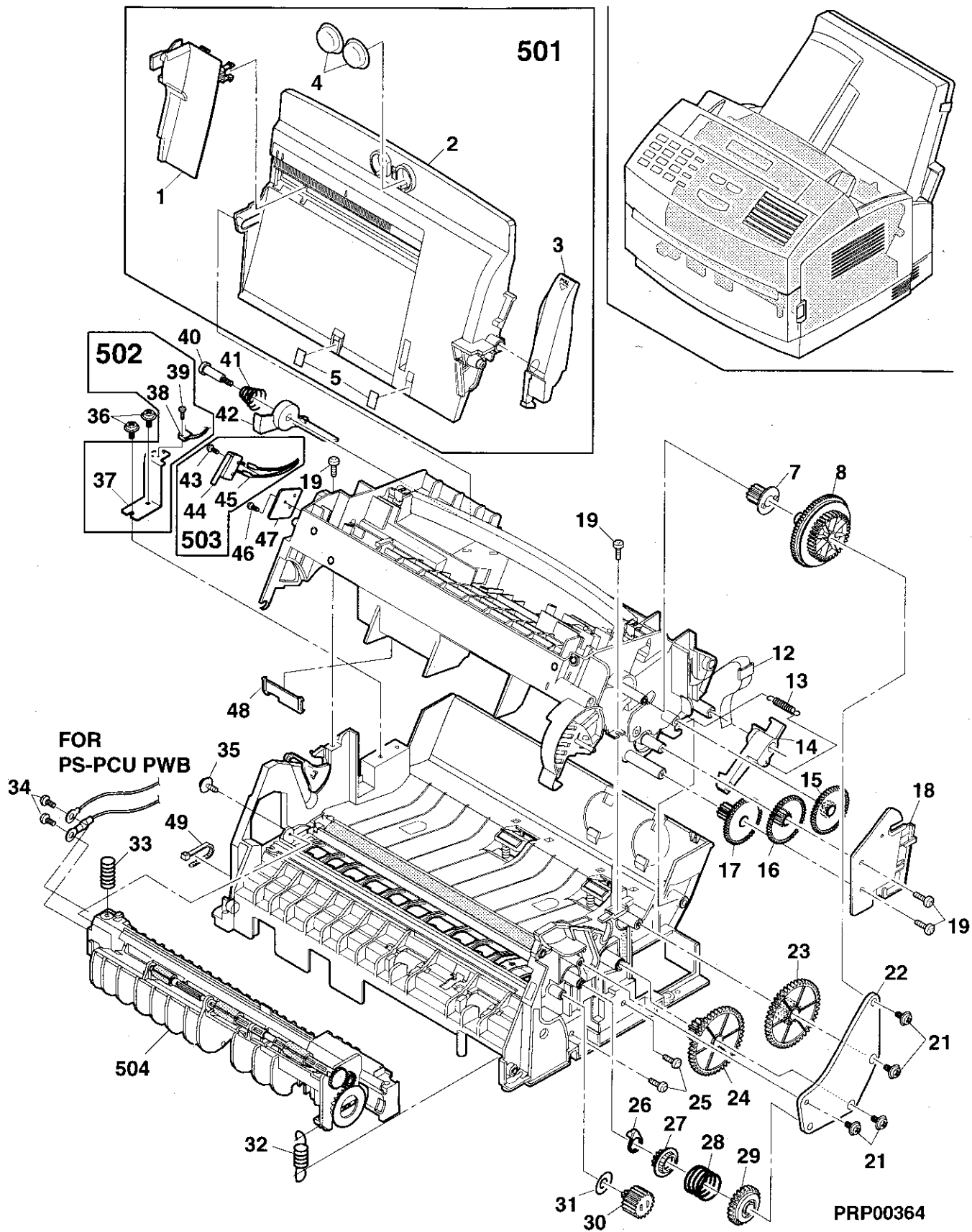


## 5 Printer unit

NO.	PARTS CODE	PRICE RANK	NEW MARK	PART RANK	DESCRIPTION
1	PGIDM0046GCZ1	AE		C	Paper tray guide
2	LSOU-0007GCZ3	AP		D	PU tray
3	MLEVP0043GCZ1	AF		C	Tray release lever
4	PSEL-7001XCFA	AD	N	C	PU seal
5	PSHEZ0190GCZZ	AC		C	Tray sheet J
7	NGERH0076GCZZ	AC		C	DV dirve gear B
8	NGERH0075GCZ2	AF		C	DV idle gear A
12	RCORF7013XCZZ	AH		C	Feright Core (FDK NDF25/20)
13	MSPRC0139GCAZ	AB		C	Lock lever spring
14	MLEVP0041GCZZ	AC		C	Lock lever
15	NGERH0094GCZZ	AC		C	PU idle gear A
16	NGERH0095GCZZ	AD		C	PU idle gear B
17	NGERH0096GCZZ	AC		C	PU idle gear C
18	PCOVP0046GCZ2	AC		C	PG gear cover
19	XEBSD30P08000	AA		C	Screw (3x8)
21	XEPSD30P08X00	AA		C	Screw (3x8X)
22	LPLTM0159GCZZ	AD		C	Gear plate
23	NGERH0071GCZZ	AC		C	Motor idle gear
24	NGERH0072GCZ1	AD		C	DR idle gear A
25	XHBSD30P06000	AA		C	Screw (3x6)
26	MLEVP0037GCZZ	AB		C	FU clutch lever
27	NGERH0078GCZZ	AC		C	FU clutch gear B
28	MSPRC0135GCAZ	AB		C	FU CL spring
29	NGERH0077GCZZ	AC		C	FU clutch gear A
30	NGERH0074GCZZ	AC		C	FU idle gear
31	LX-WZ1013HCZZ	AA		C	Washer
32	MSPRT0230GCAZ	AB		C	FU spring R
33	MSPRC0143GCA1	AA		C	FU spring
34	XBPSN30P06K00	AB		C	Screw (3x6K)
35	LX-UZ3006NCZZ	AA		C	Screw with washer (3x6(ZMC3A))
36	XEBSF30P10000	AA		C	Screw (3x10)
37	LANGT7142XCZZ	AF		C	A4 sensor angle
38	CSW-M7039XC51	AL		E	A4 sensor switch unit
39	XBPSD16P08000	AA		C	Screw (1.6x8)
40	LX-BZ7055XCZZ	AC		C	Screw (M3)
41	MSPRC7139XCZA	AC	N	C	A4 sensor spring
42	MLEVP7024XCZZ	AE		C	A4 sensor actuator
43	XHPSD23P10000	AA		C	Screw (2.3x10)
44	QSW-Z9030QCZZ	AG		B	Safety switch
45	QCNW-7193XCZZ	AE		C	Safety switch cable
46	XEBSD23P08000	AA		C	Screw (2.3x8)
47	LPLTM7060XCZZ	AC		C	Safety switch fixing plate
48	LPLTP7065XCZZ	AD	N	C	Protect plate MFP
49	LBNDJ2003SCZZ	AA		C	Cable band (PLT1M20)
501	CSOU-0007GC88	AV	N	E	PU tray unit
502	DUNTK7445XCZZ	AN		E	A4 sensor unit
503	DUNTK7432XCZZ	AP		E	Safety switch unit
504	DUNTW0100GCM2	BN		E	Fusing unit

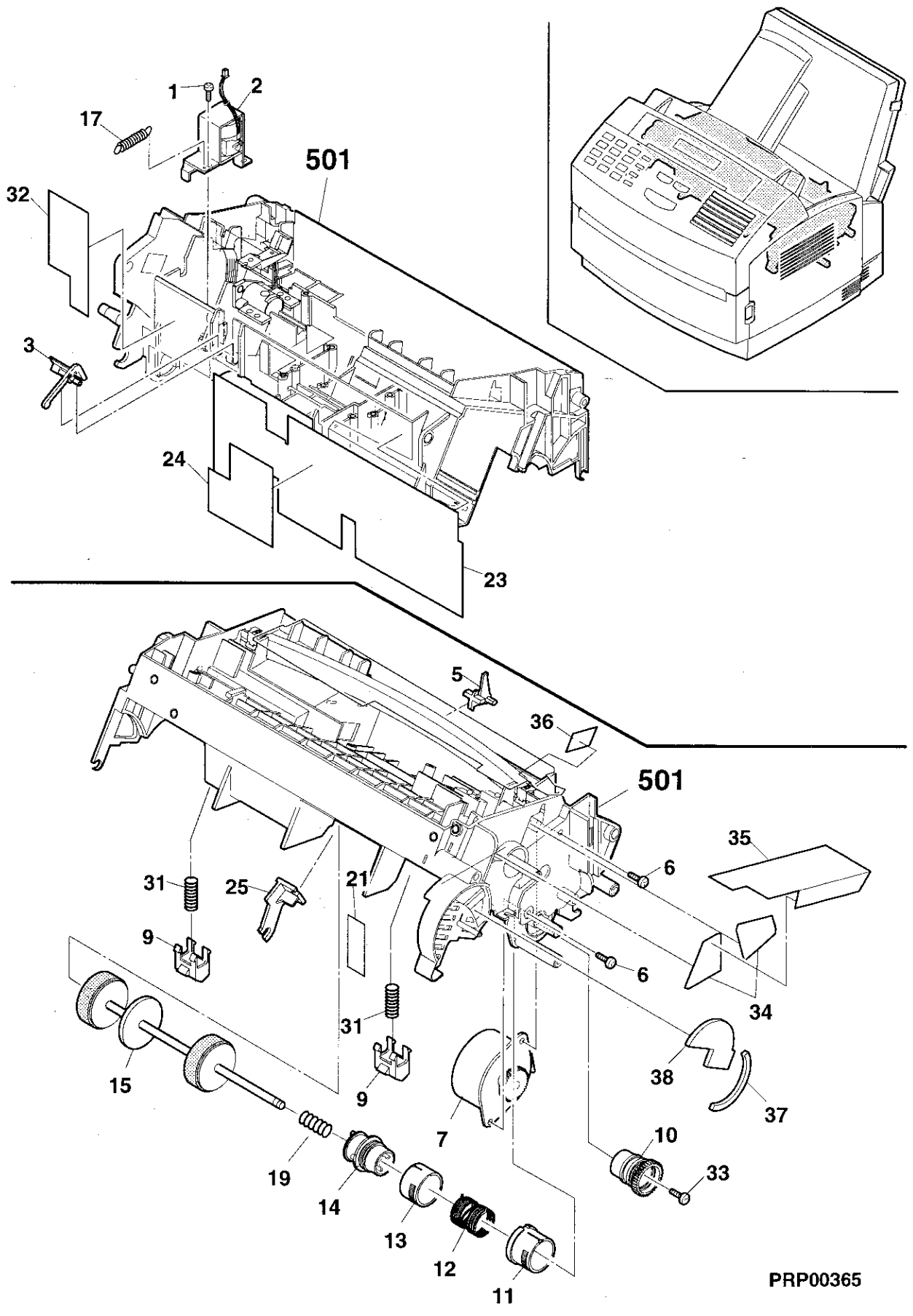


5 Printer unit





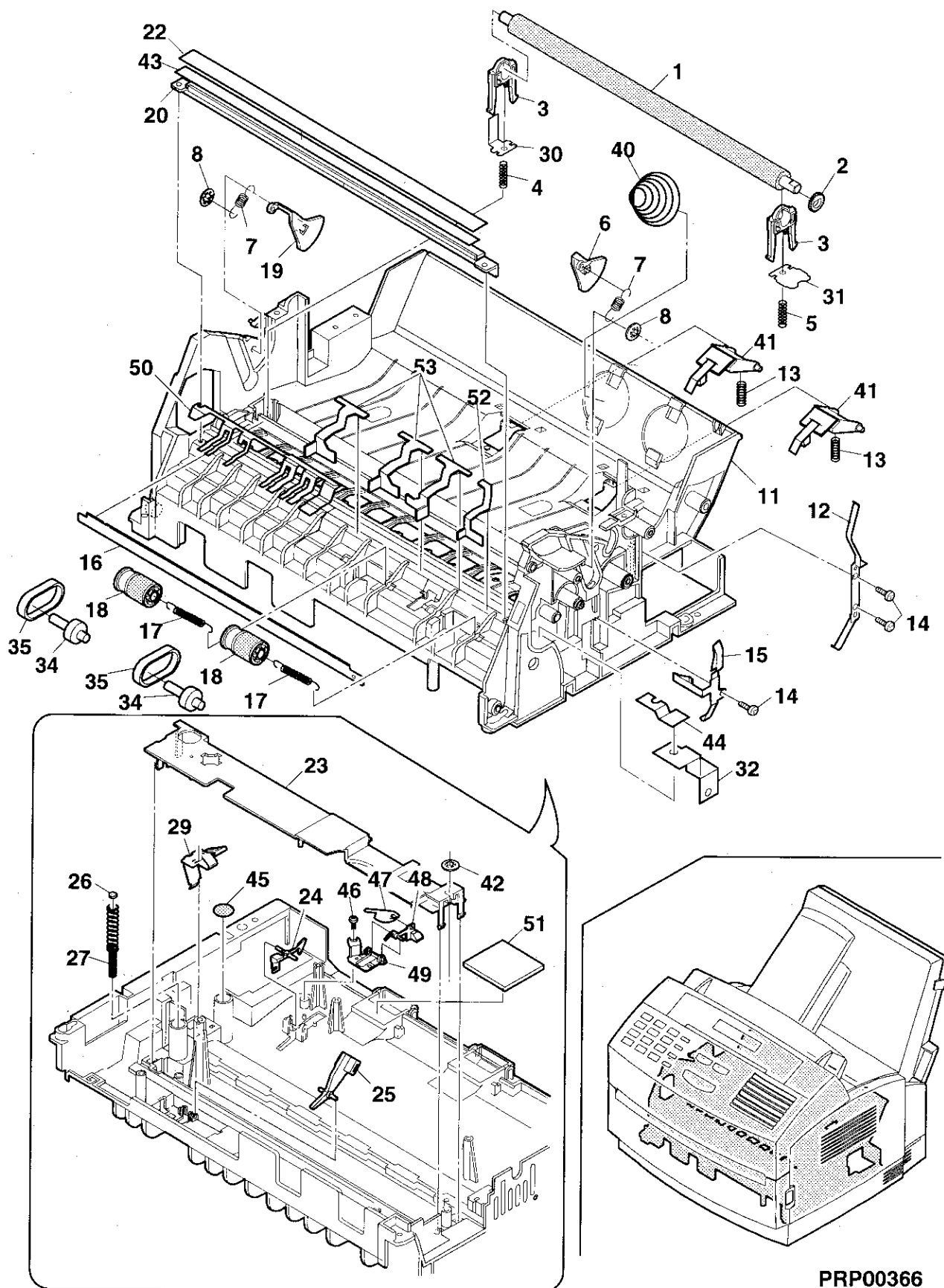
6 Printer Upper frame section



PRP00365



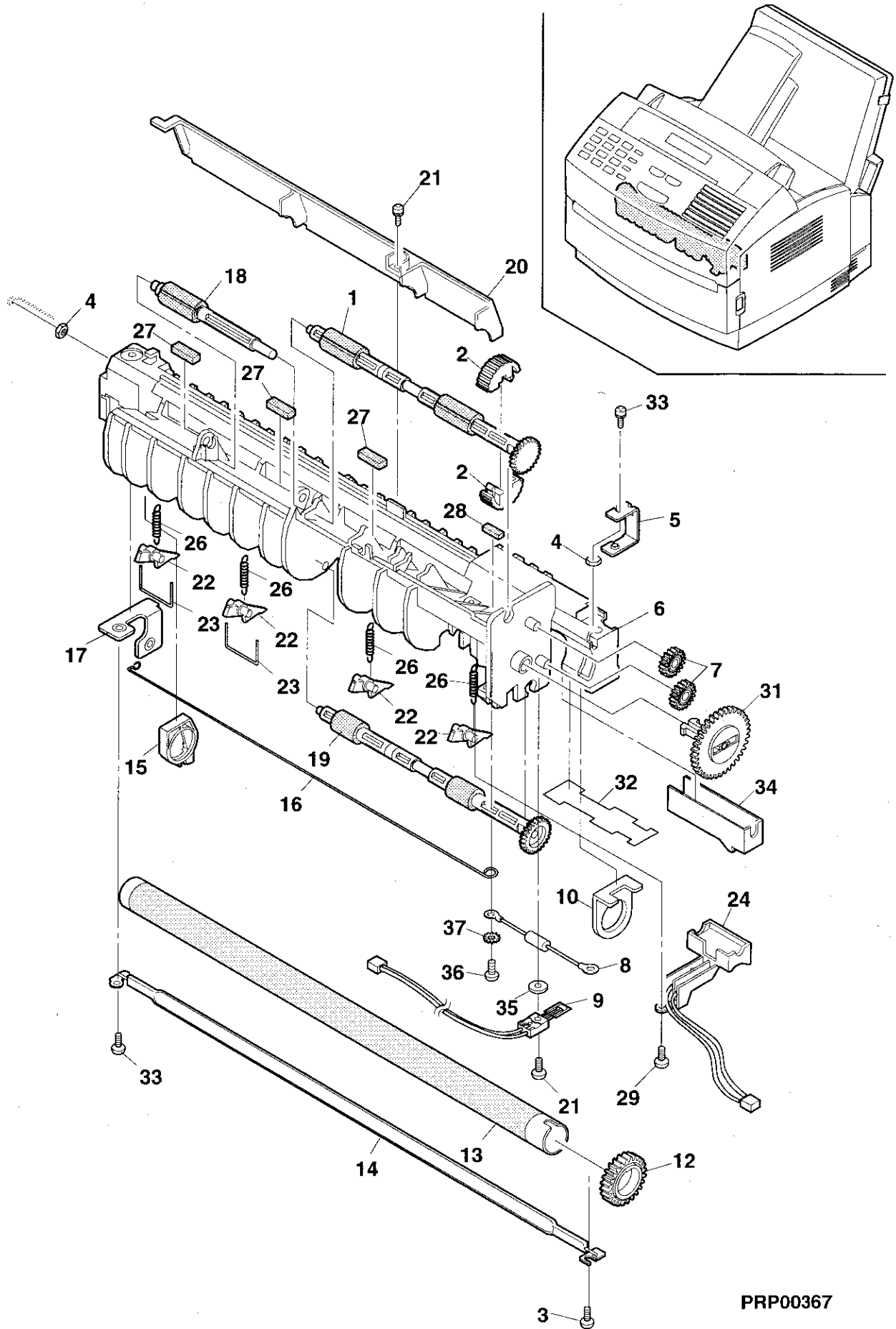
7 Printer Lower frame section



PRP00366

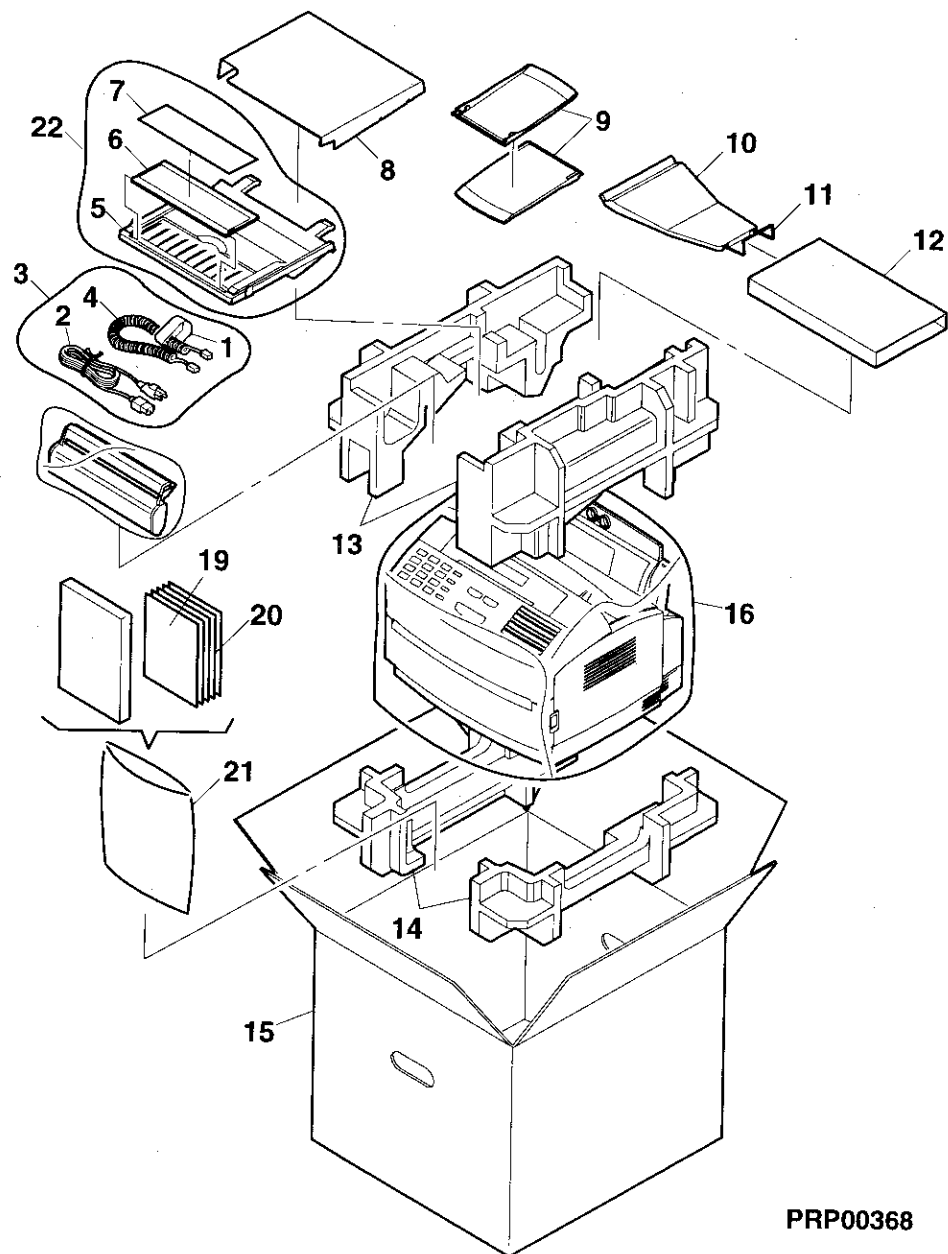


8 Fusing unit



9 Packing material & Accessories

NO.	PARTS CODE	PRICE RANK	NEW MARK	PART RANK	DESCRIPTION
1	TLABP7389XCZZ	AB		C	Line cable label
2	QACCD7618QCZZ	AQ		B	Power Cable
3	SSAKA2340QCZZ	AA		D	Vinyl bag (200x300mm)
4	QCNW-7197XCZZ	AH		C	Telephone Line Cable
5	LPLTP2748SCFZ	AN	N	C	Paper tray
6	LPLTP2749SCFZ	AF	N	C	Extension tray
7	TLABH7392XCZZ	AK	N	C	Paper tray label
8	LPLTP2750SCMZ	AQ		C	Paper Tray Cover
9	LSOU-7002XCZA	AN		D	Document Support
10	LSOU-7003XCZZ	AQ		D	Document Catch Tray
11	PWIR-7005XCZZ	AM		D	Delivery tray B
12	SPAKA7694XCZZ	AG		D	Tray protect cushion
13	SPAKA7666XCZZ	AK		D	Packing cushion L
14	SPAKA7665XCZZ	AK		D	Packing cushion
15	SPAKC7700XCZZ	AS	N	D	Packing case
16	SSAKZ7018XCZZ	AD		D	Vinyl bag (640x640mm)
19	TINSE7262XCZZ	AY	N	D	Operation Manual
20	TLABZ7393XCZZ	AD	N	C	Rapid Key Label
21	SSAKA3340QCZZ	AB		D	Vinyl bag for Accessories (320x380mm)
22	SSAKA2440QCZZ	AB		D	Vinyl bag (280x410mm)



PRP00368



## 10 Main PWB Unit

NO.	PARTS CODE	PRICE RANK	NEW MARK	PART RANK	DESCRIPTION	
1	VHDS1NB60// - 1	AD		B	Diode (S1NB60)	[BR1]
2	UBATL2034SCZZ	AH		A	Battery (CR2354)	[BT1]
3	VCKYCY1HF473Z	AA	N	C	Capacitor (50WV 0.047μF)	[C1]
4	VCKYCY1HF473Z	AA	N	C	Capacitor (50WV 0.047μF)	[C1A]
5	VCCCCY1HH101J	AA		C	Capacitor (50WV 100pF)	[C2]
6	VCKYCY1HF473Z	AA	N	C	Capacitor (50WV 0.047μF)	[C3]
7	VCKYCY1HF473Z	AA	N	C	Capacitor (50WV 0.047μF)	[C5-009]
8	VCKYCY1HF473Z	AA	N	C	Capacitor (50WV 0.047μF)	[C10]
9	VCEAEA1VW226M	AA		C	Capacitor (35WV 22μF)	[C11,012]
10	VCEAEU1CW107M	AB		C	Capacitor (16WV 100μF)	[C13,014]
11	VCEAEA1VW226M	AA		C	Capacitor (35WV 22μF)	[C15-017]
12	VCCCCY1HH220J	AA		C	Capacitor (50WV 22pF)	[C18,019]
13	VCKYCY1HB102K	AA		C	Capacitor (50WV 1000pF)	[C20]
14	VCCCCY1HH220J	AA		C	Capacitor (50WV 22pF)	[C21,022]
15	VCKYCY1HF473Z	AA	N	C	Capacitor (50WV 0.047μF)	[C23A]
16	VCKYCY1HB102K	AA		C	Capacitor (50WV 1000pF)	[C24]
17	VCKYCY1EF104Z	AA		C	Capacitor (25WV 0.10μF)	[C25]
18	VCCCCY1HH101J	AA		C	Capacitor (50WV 100pF)	[C26]
19	VCQYNU1HM683J	AC	N	C	Capacitor (50WV 0.068μF)	[C28]
20	VCQYNU1HM332J	AC	N	C	Capacitor (50WV 3300pF)	[C29]
21	VCKYCY1HF473Z	AA	N	C	Capacitor (50WV 0.047μF)	[C30]
22	VCKYCY1HB102K	AA		C	Capacitor (50WV 1000pF)	[C31]
23	VCKYCY1EF104Z	AA		C	Capacitor (25WV 0.10μF)	[C33,034]
24	VCKYCY1HF473Z	AA	N	C	Capacitor (50WV 0.047μF)	[C35,036]
25	VCKYCY1HF473Z	AA	N	C	Capacitor (50WV 0.047μF)	[C38]
26	VCEAEU1EW107M	AB		C	Capacitor (25WV 100μF)	[C39]
27	VCKYCY1HF473Z	AA	N	C	Capacitor (50WV 0.047μF)	[C40-043]
28	VCEAEA1VW226M	AA		C	Capacitor (35WV 22μF)	[C44,045]
29	VCCCTQ1HH332J	AC	N	C	Capacitor (50WV 3300pF)	[C46]
30	VCKYCY1HF473Z	AA	N	C	Capacitor (50WV 0.047μF)	[C47]
31	VCEAEA1VW226M	AA		C	Capacitor (35WV 22μF)	[C48]
32	VCEAEA1VW106M	AC	N	C	Capacitor (35WV 10μF)	[C50]
33	VCKYCY1HB331K	AA		C	Capacitor (50WV 330pF)	[C51]
34	VCKYCY1HF473Z	AA	N	C	Capacitor (50WV 0.047μF)	[C52]
35	VCCCCY1HH101J	AA		C	Capacitor (50WV 100pF)	[C53]
36	VCEAEA1VW226M	AA		C	Capacitor (35WV 22μF)	[C54]
37	VCEAEU1CW107M	AB		C	Capacitor (16WV 100μF)	[C55-058]
38	VCEAEA1VW226M	AA		C	Capacitor (35WV 22μF)	[C59]
39	VCEAEU1CW107M	AB		C	Capacitor (16WV 100μF)	[C61]
40	VCKYCY1HF473Z	AA	N	C	Capacitor (50WV 0.047μF)	[C62,063]
41	VCEAEU1CW107M	AB		C	Capacitor (16WV 100μF)	[C64]
42	VCKYQY3DB102K	AC	N	C	Capacitor (2KWV 1000pF)	[C65]
43	VCE9GU2AC106M	AD	N	C	Capacitor (100WV 10μF)	[C66,067]
44	VCKYQY3DB102K	AC	N	C	Capacitor (2KWV 1000pF)	[C68,069]
45	VCIFYJU2EA474K	AD		C	Capacitor (250WV 0.47μF)	[C70]
46	VCKYQY3DB102K	AC	N	C	Capacitor (2KWV 1000pF)	[C71]
47	VCKYCY1HF473Z	AA	N	C	Capacitor (50WV 0.047μF)	[C72-079]
48	VCKYCY1HF473Z	AA	N	C	Capacitor (50WV 0.047μF)	[C83]
49	VCKYCY1HF473Z	AA	N	C	Capacitor (50WV 0.047μF)	[C87,088]
50	VCKYCY1EF104Z	AA		C	Capacitor (25WV 0.10μF)	[C89]
51	VCKYCY1HF473Z	AA	N	C	Capacitor (50WV 0.047μF)	[C90,091]
52	VCKYCY1HF473Z	AA	N	C	Capacitor (50WV 0.047μF)	[C97]
53	VCKYCY1HF473Z	AA	N	C	Capacitor (50WV 0.047μF)	[C100]
54	VCKYCY1HF473Z	AA	N	C	Capacitor (50WV 0.047μF)	[C102]
55	VCKYCY1HB103K	AA		C	Capacitor (50WV 0.010μF)	[C103]
56	VCKYCY1HF473Z	AA	N	C	Capacitor (50WV 0.047μF)	[C104]
57	VCKYCY1HB103K	AA		C	Capacitor (50WV 0.010μF)	[C105]
58	VCKYCY1HF473Z	AA	N	C	Capacitor (50WV 0.047μF)	[C106,107]
59	VCKYCY1HB102K	AA		C	Capacitor (50WV 1000pF)	[C108,109]
60	VCKYCY1HF473Z	AA	N	C	Capacitor (50WV 0.047μF)	[C110]
61	VCKYCY1HB102K	AA		C	Capacitor (50WV 1000pF)	[C111,112]
62	VCKYCY1HF473Z	AA	N	C	Capacitor (50WV 0.047μF)	[C113]
63	VCKYCY1HB102K	AA		C	Capacitor (50WV 1000pF)	[C114,115]
64	VCKYCY1HF473Z	AA	N	C	Capacitor (50WV 0.047μF)	[C116]
65	VCKYCY1HB102K	AA		C	Capacitor (50WV 1000pF)	[C117]
66	VCKYCY1HF473Z	AA	N	C	Capacitor (50WV 0.047μF)	[C118]
67	VCKYCY1HF473Z	AA	N	C	Capacitor (50WV 0.047μF)	[C127-129]
68	VCKYCY1HB182K	AA		C	Capacitor (50WV 1800pF)	[C130]
69	VCCCCY1HH101J	AA		C	Capacitor (50WV 100pF)	[C131]
70	VCKYCY1EF104Z	AA		C	Capacitor (25WV 0.10μF)	[C132]
71	VCKYCY1HF473Z	AA	N	C	Capacitor (50WV 0.047μF)	[C133-136]
72	VCKYCY1HF473Z	AA	N	C	Capacitor (50WV 0.047μF)	[C138]
73	VCKYCY1HF473Z	AA	N	C	Capacitor (50WV 0.047μF)	[C142-145]
74	VRS-TS2AD221J	AA		C	Resistor (1/10W 220Ω ±5%)	[C146-148]
75	VCCCCY1HH471J	AA		C	Capacitor (50WV 470pF)	[C149]
76	VCKYCY1EF104Z	AA		C	Capacitor (25WV 0.10μF)	[C150]
77	VCKYCY1HF473Z	AA	N	C	Capacitor (50WV 0.047μF)	[C152-154]
78	VRS-TS2AD221J	AA		C	Resistor (1/10W 220Ω ±5%)	[C155]
79	VCKYCY1HF473Z	AA	N	C	Capacitor (50WV 0.047μF)	[C160-163]
80	VCCCTV1HH222J	AB		C	Capacitor (50WV 2200pF)	[C168]

## 10 Main PWB Unit

NO.	PARTS CODE	PRICE RANK	NEW MARK	PART RANK	DESCRIPTION
81	VCKYCY1HB471K	AB		C	Capacitor (50WV 470pF)
82	VCKYCY1HB102K	AA		C	Capacitor (50WV 1000pF)
83	VCCCTV1HH222J	AB		C	Capacitor (50WV 2200pF)
84	VCKYCY1HB471K	AB		C	Capacitor (50WV 470pF)
85	VCKYCY1HF473Z	AA	N	C	Capacitor (50WV 0.047μF)
86	VCIFYJU2EA334K	AD		C	Capacitor (250WV 0.33μF)
87	VCKYCY1HF473Z	AA	N	C	Capacitor (50WV 0.047μF)
88	VCCCCY1EH102J	AB		C	Capacitor (25WV 1000pF)
89	VCIFYJU2EA334K	AD		C	Capacitor (250WV 0.33μF)
90	VCKYCY1HF473Z	AA	N	C	Capacitor (50WV 0.047μF)
91	VCKYCY1HB103K	AA		C	Capacitor (50WV 0.010μF)
92	VCKYCY1HF473Z	AA	N	C	Capacitor (50WV 0.047μF)
93	VCIFYJU2EA334K	AD		C	Capacitor (250WV 0.33μF)
94	VCIFYJU2EA824K	AE		C	Capacitor (250WV 0.82μF)
95	VCCCCY1HH201J	AA		C	Capacitor (50WV 200pF)
96	VCKYCY1HF473Z	AA	N	C	Capacitor (50WV 0.047μF)
97	VCKYCY1CB333K	AB		C	Capacitor (16WV 0.033μF)
98	VCIFYJU2EA824K	AE		C	Capacitor (250WV 0.82μF)
99	VCKYCY1HF473Z	AA	N	C	Capacitor (50WV 0.047μF)
100	VCKYCY1HB331K	AA		C	Capacitor (50WV 330pF)
101	VCCCCY1HH101J	AA		C	Capacitor (50WV 100pF)
102	VCCCTV1HH152J	AA	N	C	Capacitor (50WV 1500PF)
103	VCKYCY1HB331K	AA		C	Capacitor (50WV 330pF)
104	VCCCCY1HH101J	AA		C	Capacitor (50WV 100pF)
105	VCKYCY1HB681K	AB		C	Capacitor (50WV 680pF)
106	VCKYCY1HB103K	AA		C	Capacitor (50WV 0.010μF)
107	VCEAEU1CW476M	AB		C	Capacitor (16WV 47μF)
108	VCEAEA1VW226M	AA		C	Capacitor (35WV 22μF)
109	VCIFYEG2EC223M	AE	N	C	Capacitor (250WV 0.022μF)
110	VCEAEU1CW476M	AB		C	Capacitor (16WV 47μF)
111	QCNCM7014SC0C	AA		C	Connector (3pin)
112	QCNCM7014SC0F	AB		C	Connector (6pin)
113	QCNCW7031XC1D	AD	N	C	Connector (14pin)
114	QCNCW7030XC1A	AC	N	C	Connector (11pin)
115	QCNCM7032XC3J	AN	N	C	Connector (30pin)
116	QCNCW0946FCZZ	AH	N	C	Connector (36pin)
117	QCNCW5092SC0D	AL	N	C	Connector (4pin)
118	QCNCM7014SC0B	AD		C	Connector (2pin)
119	QCNCW7038XC1C	AD	N	C	Connector (13pin)
120	VHD1SS355//--1	AB		B	Diode (1SS355)
121	VHEHZ15-2//--1	AB		B	Zener diode (HZ15-2)
122	VHERD4.3EL3-1	AB		B	Zener diode (RD4.3EL3)
123	VHDBR751V40-1	AD		B	Diode (RB751V40)
124	VHERD4.3EL3-1	AB		B	Zener diode (RD4.3EL3)
125	VHDDSS131//--1	AA		B	Diode (DSS131)
126	VHERD2.7EB2-1	AB		B	Zener diode (RD2.7EB2)
127	VHERD30JSAB21	AC		B	Zener diode (RD30JSAB21)
128	VHD1SS355//--1	AB		B	Diode (1SS355)
129	VRS-TS2AD000J	AA		C	Resistor (1/10W 0Ω ±5%)
130	VHDBR751V40-1	AD		B	Diode (RB751V40)
131	QFS-G4110QCZZ	AG		A	Fuse (250mA 125V)
132	VHVICPN70//--1	AF		B	IC fuse (ICPN70)
133	RRLYD3416QCZZ	AN	N	B	Relay (VR-SH-212L)
134	RCILZ7013XCZZ	AD	N	C	Inductor coil (1μH,LQH3N1R0M04)
135	RCILZ7011XCZZ	AE		C	Coil (K5AR6H6)
136	RCILZ5017SCZZ	AB		C	Chip coil (BLM31A02)
137	RCILZ1032CCZZ	AD		C	Feright beads (Min.15μH)
138	VRS-TS2AD000J	AA		C	Resistor (1/10W 0Ω ±5%)
139	VRS-TS2AD181J	AA		C	Resistor (1/10W 180Ω ±5%)
140	VRS-TS2AD221J	AA		C	Resistor (1/10W 220Ω ±5%)
141	VRS-TS2AD221J	AA		C	Resistor (1/10W 220Ω ±5%)
142	VRS-TS2AD181J	AA		C	Resistor (1/10W 180Ω ±5%)
143	RCILZ7011XCZZ	AE		C	Coil (K5AR6H6)
144	VRS-TS2AD181J	AA		C	Resistor (1/10W 180Ω ±5%)
145	RCILZ7017XCZZ	AD	N	C	Feright beads (HF50ACC453215)
146	RCILZ7008XCZZ	AD		C	Coil (ACB3216M)
147	VRS-TS2AD000J	AA		C	Resistor (1/10W 0Ω ±5%)
148	RCILZ7008XCZZ	AD		C	Coil (ACB3216M)
149	VRS-TS2AD101J	AA		C	Resistor (1/10W 100Ω ±5%)
150	RCILZ7008XCZZ	AD		C	Coil (ACB3216M)
151	VRS-TS2AD000J	AA		C	Resistor (1/10W 0Ω ±5%)
152	VRS-TS2AD101J	AA		C	Resistor (1/10W 100Ω ±5%)
153	RCILZ7008XCZZ	AD		C	Coil (ACB3216M)
154	VRS-TS2AD000J	AA		C	Resistor (1/10W 0Ω ±5%)
155	VRS-TS2AD181J	AA		C	Resistor (1/10W 180Ω ±5%)
156	VRS-TS2AD221J	AA		C	Resistor (1/10W 220Ω ±5%)
157	RCILZ7008XCZZ	AD		C	Coil (ACB3216M)
158	RCILZ7017XCZZ	AD	N	C	Feright beads (HF50ACC453215)
159	RCILZ7008XCZZ	AD		C	Coil (ACB3216M)
160	VS2SC3382-7-1	AD	N	B	Transistor (2SC3382)

## 10 Main PWB Unit

NO.	PARTS CODE	PRICE RANK	NEW MARK	PART RANK	DESCRIPTION	
161	VS2SC1214-C-1	AE		B	Transistor (2SC1214)	[Q3]
162	VS2SC3382-/-1	AD	N	B	Transistor (2SC3382)	[Q5]
163	VS2SD1581-/-1	AG	N	B	Transistor (2SD1581)	[Q16]
164	VS2SC3708-/-1	AD	N	B	Transistor (2SC3708)	[Q21]
165	VS2SC5291-/-1	AE	N	B	Transistor (2SC5291)	[Q22]
166	VS2SC1214-C-1	AE		B	Transistor (2SC1214)	[Q300]
167	VRS-TS2AD000J	AA		C	Resistor (1/10W 0Ω ±5%)	[R2,003]
168	VRS-TS2AD103J	AA		C	Resistor (1/10W 10KΩ ±5%)	[R4]
169	VRS-TS2AD220J	AA		C	Resistor (1/10W 22Ω ±5%)	[R5]
170	VRS-TS2AD103J	AA		C	Resistor (1/10W 10KΩ ±5%)	[R6,007]
171	VRS-TS2AD101J	AA		C	Resistor (1/10W 100Ω ±5%)	[R8]
172	VRS-TS2AD000J	AA		C	Resistor (1/10W 0Ω ±5%)	[R9]
173	VRS-TS2AD101J	AA		C	Resistor (1/10W 100Ω ±5%)	[R10-016]
174	VRS-TS2AD103J	AA		C	Resistor (1/10W 10KΩ ±5%)	[R17]
175	VRS-TS2AD510J	AA		C	Resistor (1/10W 51Ω ±5%)	[R18]
176	VRS-TS2AD154J	AA		C	Resistor (1/10W 150KΩ ±5%)	[R19]
177	VRS-TS2AD105J	AA		C	Resistor (1/10W 1.0MΩ ±5%)	[R20]
178	VRS-TS2AD106J	AA		C	Resistor (1/10W 10MΩ ±5%)	[R21]
179	VRS-TS2AD391J	AA		C	Resistor (1/10W 390Ω ±5%)	[R22]
180	VRS-TS2AD103J	AA		C	Resistor (1/10W 10KΩ ±5%)	[R23]
181	VRS-TS2AD223J	AA		C	Resistor (1/10W 22KΩ ±5%)	[R24]
182	VRS-TS2AD222J	AA		C	Resistor (1/10W 2.2KΩ ±5%)	[R26]
183	VRS-RE3DA2R0J	AC	N	C	Resistor (1W 2.0Ω ±5%)	[R27]
184	VRS-TS2AD103J	AA		C	Resistor (1/10W 10KΩ ±5%)	[R28,029]
185	VRS-RE3DA2R0J	AC	N	C	Resistor (1W 2.0Ω ±5%)	[R30]
186	VRS-TS2AD220J	AA		C	Resistor (1/10W 22Ω ±5%)	[R31,032]
187	RCILZ7008XCZZ	AD		C	Coil (ACB3216M)	[R33,034]
188	VRS-TS2AD103J	AA		C	Resistor (1/10W 10KΩ ±5%)	[R35]
189	VRS-TS2AD220J	AA		C	Resistor (1/10W 22Ω ±5%)	[R36]
190	VRS-TS2AD103J	AA		C	Resistor (1/10W 10KΩ ±5%)	[R40-042]
191	VRS-TS2AD512J	AA		C	Resistor (1/10W 5.1KΩ ±5%)	[R43]
192	VRS-TS2AD223J	AA		C	Resistor (1/10W 22KΩ ±5%)	[R45]
193	VRS-TS2AD103J	AA		C	Resistor (1/10W 10KΩ ±5%)	[R46,047]
194	VRS-TS2AD204J	AA	N	C	Resistor (1/10W 200KΩ ±5%)	[R53]
195	VRS-TS2AD223J	AA		C	Resistor (1/10W 22KΩ ±5%)	[R54]
196	VRS-TS2AD123J	AA		C	Resistor (1/10W 12KΩ ±5%)	[R55]
197	VRS-TS2AD512J	AA		C	Resistor (1/10W 5.1KΩ ±5%)	[R56]
198	VRS-TS2AD223J	AA		C	Resistor (1/10W 22KΩ ±5%)	[R57]
199	VRS-TS2AD473J	AA		C	Resistor (1/10W 47KΩ ±5%)	[R58,059]
200	VRS-TS2AD101J	AA		C	Resistor (1/10W 100Ω ±5%)	[R61]
201	RCILZ7009XCZZ	AC		C	Coil (ACB2012M)	[R62-076]
202	VRS-TS2AD101J	AA		C	Resistor (1/10W 100Ω ±5%)	[R77]
203	VRS-TS2AD101J	AA		C	Resistor (1/10W 100Ω ±5%)	[R86]
204	VRS-TS2AD101J	AA		C	Resistor (1/10W 100Ω ±5%)	[R88]
205	VRS-TS2AD101J	AA		C	Resistor (1/10W 100Ω ±5%)	[R90]
206	VRS-TS2AD101J	AA		C	Resistor (1/10W 100Ω ±5%)	[R92]
207	VRS-TS2AD101J	AA		C	Resistor (1/10W 100Ω ±5%)	[R94]
208	VRS-TS2AD101J	AA		C	Resistor (1/10W 100Ω ±5%)	[R96]
209	VRS-TS2AD101J	AA		C	Resistor (1/10W 100Ω ±5%)	[R104]
210	VRS-TS2AD152J	AA		C	Resistor (1/10W 1.5KΩ ±5%)	[R106]
211	VRS-TS2AD222J	AA		C	Resistor (1/10W 2.2KΩ ±5%)	[R107-109]
212	VRS-TS2AD223J	AA		C	Resistor (1/10W 22KΩ ±5%)	[R110]
213	VRS-TS2AD222J	AA		C	Resistor (1/10W 2.2KΩ ±5%)	[R115]
214	VRS-TS2AD103J	AA		C	Resistor (1/10W 10KΩ ±5%)	[R116-119]
215	VRS-TS2AD221J	AA		C	Resistor (1/10W 220Ω ±5%)	[R120,121]
216	VRS-TS2AD102J	AA		C	Resistor (1/10W 1.0KΩ ±5%)	[R122]
217	VRS-TS2AD123J	AA		C	Resistor (1/10W 12KΩ ±5%)	[R123]
218	VRS-TS2AD103J	AA		C	Resistor (1/10W 10KΩ ±5%)	[R124]
219	VRS-TS2AD221J	AA		C	Resistor (1/10W 220Ω ±5%)	[R125-127]
220	VRS-TS2AD471J	AA		C	Resistor (1/10W 47Ω ±5%)	[R128]
221	VRS-TS2AD221J	AA		C	Resistor (1/10W 220Ω ±5%)	[R129]
222	VRS-TS2AD223J	AA		C	Resistor (1/10W 22KΩ ±5%)	[R130]
223	VRS-TS2AD182J	AA		C	Resistor (1/10W 1.8KΩ ±5%)	[R131]
224	VRS-TS2AD223J	AA		C	Resistor (1/10W 22KΩ ±5%)	[R132]
225	VRS-TS2AD103J	AA		C	Resistor (1/10W 10KΩ ±5%)	[R133]
226	VRS-TS2AD102J	AA		C	Resistor (1/10W 1.0KΩ ±5%)	[R134]
227	RCILZ7008XCZZ	AD		C	Coil (ACB3216M)	[R135]
228	VRS-TS2AD102J	AA		C	Resistor (1/10W 1.0KΩ ±5%)	[R136]
229	VRD-RC2EY330J	AA		C	Resistor (1/4W 33Ω ±5%)	[R137]
230	VRD-RC2EY100J	AA		C	Resistor (1/4W 10Ω ±5%)	[R138]
231	VRS-TS2AD103J	AA		C	Resistor (1/10W 10KΩ ±5%)	[R139,140]
232	VRS-TS2AD242J	AA		C	Resistor (1/10W 2.4KΩ ±5%)	[R141]
233	VRS-TS2AD391J	AA		C	Resistor (1/10W 390Ω ±5%)	[R142]
234	VRS-TS2AD220J	AA		C	Resistor (1/10W 22Ω ±5%)	[R144]
235	VRS-TS2AD220J	AA		C	Resistor (1/10W 22Ω ±5%)	[R147-153]
236	VRS-TS2AD103J	AA		C	Resistor (1/10W 10KΩ ±5%)	[R154]
237	VRS-TS2AD220J	AA		C	Resistor (1/10W 22Ω ±5%)	[R155-158]
238	VRS-TS2AD473J	AA		C	Resistor (1/10W 47KΩ ±5%)	[R159]
239	VRS-TS2AD242J	AA		C	Resistor (1/10W 2.4KΩ ±5%)	[R160]
240	VRS-TS2AD122J	AA		C	Resistor (1/10W 1.2KΩ ±5%)	[R161]

## 10 Main PWB Unit

NO.	PARTS CODE	PRICE RANK	NEW MARK	PART RANK	DESCRIPTION	
241	VRS-TS2AD102J	AA		C	Resistor (1/10W 1.0KΩ ±5%)	
242	VRS-TS2AD331J	AA		C	Resistor (1/10W 330Ω ±5%)	[R162]
243	VRS-TS2AD473J	AA		C	Resistor (1/10W 47KΩ ±5%)	[R163]
244	VRS-TS2AD471J	AA		C	Resistor (1/10W 47Ω ±5%)	[R164]
245	VRS-TS2AD331J	AA		C	Resistor (1/10W 330Ω ±5%)	[R167]
246	VRSTS2AD5112F	AA		C	Resistor (1/10W 51.1KΩ ±1%)	[R168,169]
247	VRSTS2AD5622F	AB		C	Resistor (1/10W 56.2KΩ ±1%)	[R170]
248	VRS-TS2AD102J	AA		C	Resistor (1/10W 1.0KΩ ±5%)	[R171]
249	VRS-TS2AD562J	AA		C	Resistor (1/10W 5.6KΩ ±5%)	[R173]
250	VRS-TS2AD221J	AA		C	Resistor (1/10W 220Ω ±5%)	[R174]
251	VRSTS2AD4872F	AA	N	C	Resistor (1/10W 48.7KΩ ±1%)	[R175]
252	VRS-TS2AD222J	AA		C	Resistor (1/10W 2.2KΩ ±5%)	[R176]
253	VRSTS2AD3740F	AA	N	C	Resistor (1/10W 374Ω ±1%)	[R177]
254	VRSTS2AD5622F	AB		C	Resistor (1/10W 56.2KΩ ±1%)	[R178]
255	VRSTS2AD3921F	AA		C	Resistor (1/10W 3.92KΩ ±1%)	[R179]
256	VRSTS2AD4642F	AA		C	Resistor (1/10W 46.4KΩ ±1%)	[R180]
257	VRS-TS2AD103J	AA		C	Resistor (1/10W 10KΩ ±5%)	[R181,182]
258	VRS-TS2AD331J	AA		C	Resistor (1/10W 330Ω ±5%)	[R185,186]
259	VRSTS2AD4642F	AA		C	Resistor (1/10W 46.4KΩ ±1%)	[R187]
260	VRSTS2AD5112F	AA		C	Resistor (1/10W 51.1KΩ ±1%)	[R188]
261	VRS-TS2AD562J	AA		C	Resistor (1/10W 5.6KΩ ±5%)	[R189]
262	VRS-TS2AD100J	AA		C	Resistor (1/10W 10Ω ±5%)	[R190]
263	VRSTS2AD1542F	AC	N	C	Resistor (1/10W 15.4KΩ ±1%)	[R192]
264	VRS-TS2AD103J	AA		C	Resistor (1/10W 10KΩ ±5%)	[R193]
265	VRS-TS2AD331J	AA		C	Resistor (1/10W 330Ω ±5%)	[R194,195]
266	VRS-TS2AD102J	AA		C	Resistor (1/10W 1.0KΩ ±5%)	[R196]
267	VRSTS2AD2153F	AA	N	C	Resistor (1/10W 215KΩ ±1%)	[R197,198]
268	VRSTS2AD2433F	AA	N	C	Resistor (1/10W 243KΩ ±1%)	[R199]
269	VRS-TS2AD000J	AA		C	Resistor (1/10W 0Ω ±5%)	[R200]
270	VRS-TS2AD330J	AA		C	Resistor (1/10W 33Ω ±5%)	[R202]
271	VRS-RE3AA150J	AB		C	Resistor (1W 15Ω ±5%)	[R207]
272	VRS-TS2AD473J	AA		C	Resistor (1/10W 47KΩ ±5%)	[R208]
273	VRS-TS2AD472J	AA		C	Resistor (1/10W 4.7KΩ ±5%)	[R209]
274	VRS-TS2AD683J	AA		C	Resistor (1/10W 68KΩ ±5%)	[R212]
275	VRD-HT2HY101J	AA		C	Resistor (1/4W 100Ω ±5%)	[R213]
276	VRD-HT2HY123J	AB		C	Resistor (1/4W 12KΩ ±5%)	[R214]
277	VRS-TS2AD392J	AA		C	Resistor (1/10W 3.9KΩ ±5%)	[R215]
278	VRS-TS2AD332J	AA		C	Resistor (1/10W 3.3KΩ ±5%)	[R216]
279	VRSTS2AD5622F	AB		C	Resistor (1/10W 56.2KΩ ±1%)	[R217]
280	VRS-TS2AD103J	AA		C	Resistor (1/10W 10KΩ ±5%)	[R300]
281	VRS-TS2AD102J	AA		C	Resistor (1/10W 1.0KΩ ±5%)	[R301]
282	VRS-TS2AD103J	AA		C	Resistor (1/10W 10KΩ ±5%)	[R302]
283	VRS-TS2AD223J	AA		C	Resistor (1/10W 22KΩ ±5%)	[R303,304]
284	VRS-TS2AD102J	AA		C	Resistor (1/10W 1.0KΩ ±5%)	[R305-307]
285	VRS-TS2AD102J	AA		C	Resistor (1/10W 1.0KΩ ±5%)	[R308]
286	VRS-TS2AD472J	AA		C	Resistor (1/10W 4.7KΩ ±5%)	[R319]
287	VRS-TS2AD000J	AA		C	Resistor (1/10W 0Ω ±5%)	[R319-321]
288	VRS-TS2AD472J	AA		C	Resistor (1/10W 4.7KΩ ±5%)	[R322]
289	RCILZ7008XCZZ	AD		C	Coil (ACB3216M)	[R323,324]
290	RMPTC8103QCKB	AD		B	Block resistor (10KΩ×8 1/8W ±10%)	[R325]
291	RMPTC8223QCKB	AD		B	Block resistor (22KΩ×8 1/8W ±10%)	[RP1]
292	RMPTC8223QCKB	AD		B	Block resistor (22KΩ×8 1/8W ±10%)	[RP2]
293	RMPTW4220QCKB	AB		B	Block resistor (22KΩ×4 1/8W ±10%)	[RP4,05]
294	RMPTC8102QCKB	AD		B	Block resistor (1.0KΩ×8 1/8W ±10%)	[RP7-09]
295	VHVTNR9G391K/	AD	N	B	Varistor (TNR9G391K)	[RP10,11]
296	VHVTNR12G751K	AF	N	B	Varistor (TNR12G751K)	[RV1]
297	RTRNP7008XCZZ	AR	N	B	Transformer	[RV2]
298	VHISN74LS373N	AL		B	IC (SN74LS373N)	[T1]
299	VHISN74LS374N	AL		B	IC (SN74LS374N)	[U1]
300	VHISN74LS244N	AS		B	IC (SN74LS244N)	[U2]
301	VHITL431CLP-2	AG		B	IC (TL431CLP-2)	[U3]
302	VHIN341256J20	AN	N	B	IC (N341256J20)	[U4]
303	VH1HY18164JC6	BE	N	B	D RAM (HY18164JC6)	[U5]
304	QSOCZ0051FCZZ	AD		C	Socket (DICF-42C-E)	[U7]
305	VH127080S003A	BE	N	B	Main ROM (27080S003A)	[U8]
306	VHINJU6355E-1	AM		B	IC (NJU6355E)	[U10]
307	VH1ULN2003ANS	AE		B	IC (JLN2003ANS)	[U11]
308	VH1LC82103/-1	BA	N	B	IC (LC82103)	[U12]
309	VH1LC8213K/-1	AZ	N	B	IC (LC8213K)	[U13]
310	VHPPC824///-1	AL		B	Photo coupler (PC824)	[U14]
311	VH1BU4053BCF1	AE		B	IC (BU4053BCF1)	[U15]
312	VH1LF353M///-1	AH	N	B	IC (LF353M)	[U16]
313	VH1CGS410///-1	AU	N	B	IC (CGS410)	[U17]
314	VH1SN74LS273N	AQ		B	IC (SN74LS273N)	[U18]
315	VH1NSFX164-25	BK	N	B	CPU (NSFX164-25)	[U19]
316	VH1NSFX200-25	BG	N	B	IC (NSFX200-25)	[U20]
317	VH1SLA7027MUL	AQ	N	B	IC (SLA7027MUL)	[U24]
318	VH1SN74F32NS/	AD		B	IC (SN74F32NS)	[U26]
319	VH1VG4265BJ40	AX		B	IC (VG4265BJ40)	[U28]
320	VH1MB46533203	BD	N	B	IC (MB46533203)	[U29]

## 10 Main PWB Unit

NO.	PARTS CODE	PRICE RANK	NEW MARK	PART RANK	DESCRIPTION
321	VHIW2465S70LL	AW		B	IC (W2465S70LL)
322	VHISN74F244-1	AH		B	IC (SN74F244)
323	VHISN74F244-1	AH		B	IC (SN74F244)
324	VHIBU4052BCF1	AF	N	B	IC (BU4052BCF1)
325	VHIMM74HC4053	AH	N	B	IC (MM74HC4053)
326	VHILF347///-1	AN	N	B	IC (LF347)
327	VHILM386M///-1	AE		B	IC (LM386M)
328	VHIMM74HC4053	AH	N	B	IC (MM74HC4053)
329	VHILM311///-1F	AD		B	IC (LM311)
330	VHIULN2003ANS	AE		B	IC (ULN2003ANS)
331	VHIACT1284NS/	AK	N	B	IC (ACT1284NS)
332	VHIM51953BL-1	AF		B	IC (M51953BL)
333	RCRSP6676RCZZ	AG		B	Crystal (32.768KHZ)
334	RCRSZ7005XCZZ	AH	N	B	Crystal (49.152MHZ)
335	RCRSP6676RCZZ	AG		B	Crystal (32.768KHZ)
	(Unit)				
901	CPWBX1089XC53	CK	N	E	Main PWB unit

## 11 Panel PWB Unit

NO.	PARTS CODE	PRICE RANK	NEW MARK	PART RANK	DESCRIPTION
1	VCEAJU1CW226M	AB		C	Capacitor (16WV 22μF)
2	VCTYPU1HF104Z	AB		C	Capacitor (50WV 0.10μF)
3	QCNCW7034XC1C	AD	N	C	Connector (13pin)
4	QCNCW7034XC1D	AD	N	C	Connector (14pin)
5	QCNW-7204XCZZ	AD	N	C	Cable
6	VHPGL3HS8///-1	AB		B	Photo transistor (GL3HS8)
7	VHPGL3EG8///-1	AA		B	LED (GL3EG8)
8	PSPAZ7079XCZZ	AE	N	C	LCD spacer
9	VVLHLM3212-01	BA	N	B	LCD (HLM3212)
10	VHISN74LS145N	AH		B	IC (SN74LS145N)
11	VHPGP1S24///-1	AF	N	B	Photo transistor (GP1S24)
12	VRD-HT2EY103J	AA		C	Resistor (1/4W 10KΩ ±5%)
13	VRD-HT2EY391J	AA		C	Resistor (1/4W 390Ω ±5%)
14	VRD-HT2HY910J	AA		C	Resistor (1/2W 91Ω ±5%)
15	VRD-HT2EY181J	AA		C	Resistor (1/4W 180Ω ±5%)
16	VRD-HT2EY102J	AA		C	Resistor (1/4W 1.0KΩ ±5%)
17	QSW-P0444FCZZ	AB		B	Tact switch (SKHVBB)
18	QSW-M7039XCZZ	AE	N	B	Switch (MSS-13S-1)
	(Unit)				
901	CPWBF1091XC52	BM	N	E	Panel PWB unit

## 12 PS-PCU PWB Unit

NO.	PARTS CODE	PRICE RANK	NEW MARK	PART RANK	DESCRIPTION
1	QCNCW-7203XCZZ	AE	N	C	12V JP harness (RED)
2	QCNCW-7200XCZZ	AE	N	C	AC-IN Harness (WH)
3	QCNCW-7201XCZZ	AE	N	C	AC-IN Harness (BL)
4	VCEAEU2DW277M	AP	N	C	Capacitor (200WV 270μF)
5	VCEAZA1VW476M	AC	N	C	Capacitor (35WV 47μF)
6	VCQYNU1HM222K	AA		C	Capacitor (50WV 2200pF)
7	VCKYSU2EB222M	AD		C	Capacitor (250WV 2200pF)
8	VCKYPU1HB471K	AA	N	C	Capacitor (50WV 470pF)
9	VCFYMU2GA223K	AF	N	C	Capacitor (400WV 0.022μF)
10	RC-KZ2005SCZZ	AA		C	Capacitor (50WV 0.01μF)
11	VCKYSU2EB472M	AD		C	Capacitor (250WV 4700pF)
12	VCFYFU2EE104K	AD		C	Capacitor (250WV 0.1μF)
13	VCKYSU2EB222M	AD		C	Capacitor (250WV 2200pF)
14	VCFYFU2EE224K	AD		C	Capacitor (250WV 0.22μF)
15	VCQYNU1HM104K	AB		C	Capacitor (50WV 0.10μF)
16	VCEA4A1EN228M	AF	N	C	Capacitor (25WV 2200μF)
17	RC-KZ2005SCZZ	AA		C	Capacitor (50WV 0.01μF)
18	RC-K1E104HCZZ	AA		C	Capacitor (50WV 0.1μF)
19	VCEAZA1EW476M	AC	N	C	Capacitor (25WV 47μF)
20	VCEAZA1EW107M	AC	N	C	Capacitor (25WV 100μF)
21	VCEAZA1EW106M	AB	N	C	Capacitor (25WV 10μF)
22	VCKYQY3AC103Z	AD	N	C	Capacitor (1000WV 0.01μF)
23	VCEAZU1HW105M	AB	N	C	Capacitor (50WV 1.0μF)
24	VCEANH1EW228M	AF	N	C	Capacitor (25WV 2200μF)
25	VCEA4A1AN228M	AE	N	C	Capacitor (10WV 2200μF)
26	VCTYPU1HF104Z	AB		C	Capacitor (50WV 0.10μF)
27	RC-K1E104HCZZ	AA		C	Capacitor (50WV 0.1μF)

12 PS-PCU PWB Unit

NO.	PARTS CODE	PRICE RANK	NEW MARK	PART RANK	DESCRIPTION
28	VCEAZA1AW476M	AB	N	C	Capacitor (10WV 47μF) [C303]
29	VCTYPU1HF104Z	AB		C	Capacitor (50WV 0.10μF) [C304,305]
30	VCKYPU1HB472K	AA		C	Capacitor (50WV 4700pF) [C306,307,308]
31	RC-K1E104HCZZ	AA		C	Capacitor (50WV 0.1μF) [C310]
32	VCCCPU1HH270J	AA		C	Capacitor (50WV 27pF) [C311,312]
33	VCKYPU1HB102K	AA		C	Capacitor (50WV 1000pF) [C313]
34	VCKYPU1HB472K	AA		C	Capacitor (50WV 4700pF) [C316,317]
35	VCTYPU1HF104Z	AB		C	Capacitor (50WV 0.10μF) [C318]
36	VCKYPU1HB391K	AA		C	Capacitor (50WV 390pF) [C319]
37	VCEAZA1EW476M	AC	N	C	Capacitor (25WV 47μF) [C320]
38	VCKYPU1HB472K	AA		C	Capacitor (50WV 4700pF) [C321]
39	VCQYNU1HM153K	AA		C	Capacitor (50WV 0.015μF) [C400]
40	VCKYQY3DB151K	AC		C	Capacitor (2000WV 150pF) [C401]
41	VCKYQY3FB102K	AD		C	Capacitor (3150WV 1000pF) [C402]
42	VCKYQY3AB102K	AC		C	Capacitor (1000WV 1000pF) [C403]
43	VCQYNU1HM222K	AA		C	Capacitor (50WV 2200pF) [C404]
44	VCQYNU1HM472K	AA		C	Capacitor (50WV 4700pF) [C405]
45	VCKYPU1HB102K	AA		C	Capacitor (50WV 1000pF) [C406]
46	VCEAZA1EW475M	AB	N	C	Capacitor (25WV 4.7μF) [C407]
47	VCKYPU2HB332K	AB		C	Capacitor (500WV 3300pF) [C409]
48	VCQYNU1HM472K	AA		C	Capacitor (50WV 4700pF) [C411]
49	VCKYPU1HB102K	AA		C	Capacitor (50WV 1000pF) [C412,413,414]
50	VCKYQY3FB102K	AD		C	Capacitor (3150WV 1000pF) [C415,416]
51	QS0CA7005XCZZ	AH	N	C	AC inlet socket (AC-P06CN18) [CN1]
52	QCNW-7199XCZA	AE	N	C	Heater harness (BL) [CN4]
53	QCNW-7198XCZA	AE	N	C	Heater harness (WH) [CN5]
54	QCNCM7014SC0C	AA		C	Connector (3pin) [CN202]
55	QCNCW0053GCZZ	AD		C	Connector (9pin) [CN301]
56	QCNCM7014SC0B	AD		C	Connector (2pin) [CN302]
57	QCNCM0876FCZZ	AB		C	Connector (4pin) [CN303]
58	QCNCM7022SC0B	AB		C	Connector (2pin) [CN304]
59	QCNCW7033XC3J	AN	N	C	Connector (30pin) [CN305]
60	QCNCM0860FCZZ	AB		C	Connector (5pin) [CN306]
61	QCNCM7014SC0C	AA		C	Connector (3pin) [CN307]
62	QCNCM7022SC0B	AB		C	Connector (2pin) [CN308,309]
63	QCNCM7037XC0B	AB	N	C	Connector (2pin) [CN310]
64	QCNW-7202XCZA	AD	N	C	Relay harness (BL) [C-C']
65	VHDD3SBA60/-1	AG		B	Diode (D3SBA60) [D1]
66	VHDAG01YV0/-1	AD	N	B	Diode (AG01UV0) [D2]
67	VHDAU01ZV0/-1	AC	N	B	Diode (AU01ZV0) [D3,004]
68	VHDEG01AV0/-1	AD	N	B	Diode (EG01AV0) [D6]
69	VHDAU01ZV0/-1	AC	N	B	Diode (AU01ZV0) [D7]
70	VHDAG01YV0/-1	AD	N	B	Diode (AG01UV0) [D8]
71	VHDFMB36///-1	AL	N	B	Diode (FMB36) [D101]
72	VHDAU01ZV0/-1	AC	N	B	Diode (AU01ZV0) [D103]
73	VHDRK33LFA1-1	AE		B	Diode (RK33LFA1) [D201]
74	VHDDSS133///-1	AA		B	Diode (DSS133) [D205]
75	VHDSHV03///-1	AE		B	Diode (SHV03) [D401,402]
76	VHDSHV02///-1	AD		B	Diode (SHV02) [D403]
77	VHDDSM1D1///-1	AB		B	Diode (DSM1D1) [D404]
78	VHDDSM1D1///-1	AB		B	Diode (DSM1D1) [D406,407,408]
79	VHDSHV02///-1	AD		B	Diode (SHV02) [D409]
80	VHDSHV03///-1	AE		B	Diode (SHV03) [D410,411]
81	QCNW-7211XCZZ	AD	N	C	Jumper harness B [D-D']
82	QCNW-7210XCZZ	AD	N	C	Jumper harness A [E-E']
83	QFSHB0001GCZZ	AB		C	Fuse holder (H462) [F1,003]
84	QFS-72006XCZZ	AD	N	A	Fuse (10A 125V) [F1]
85	QFS-72011XCZZ	AD	N	A	Fuse (2.5A 125V) [F3]
86	QFSHB0001GCZZ	AB		C	Fuse holder (H462) [F101]
87	QFS-72012XCZZ	AD	N	A	Fuse (6A 125V) [F101]
88	QFS-72013XCZZ	AF	N	A	Micro fuse (1A 125V) [F102]
89	RCiLZ7012XCZZ	AC		C	Beads core (B-01-AT1F) [FB1,2,3,4]
90	QCNW-7209XCZZ	AE	N	C	AC jumper harness [F-F']
91	QCNW-7218XCZZ	AE	N	C	GND harness B [G GARY-G' GRAY]
92	VHiSTR-F6514/	AS		B	IC (STR-F6514) [IC1]
93	VHiTL431CLP-2	AG		B	IC (TL431CLP-2) [IC101]
94	VHiPQ12RD11-1	AG	N	B	IC (PQ12RD11) [IC102]
95	VHiNJM78L12A1	AE		B	IC (NJM78L12A1) [IC105]
96	VHiSi8050LF11	AN	N	B	IC (SI8050LF11) [IC201]
97	VHiTA7291S/-1	AF		B	IC (TA7291S) [IC301,302]
98	VHiULN2003AN1	AE		B	IC (ULN2003AN1) [IC303]
99	VHi377P8-016/	BC	N	B	IC (377P8-016) [IC304]
100	VHiMC74HC10-1	AE		B	IC (MC74HC10) [IC305]
101	VHViCPN25///-1	AD		B	IC protector (ICP-N25) [ICP301,302]
102	VHViCPN38///-1	AF		B	IC protector (ICPN38) [ICP303]
103	RFiLN7007XCZZ	AK	N	B	Inductor [L1]
104	RFiLN0002GCZZ	AC		B	Beads filter (BP53RA04506050M) [L101]
105	RciLZ7014XCZZ	AG	N	C	Inductor coil (200μHz) [L201]
106	RciLZ1032CCZZ	AD		C	Feright beads (Min.15μH) [L203,204]
107	RciLZ1032CCZZ	AD		C	Feright beads (Min.15μH) [L301,302,303,304]

## 12 PS-PCU PWB Unit

NO.	PARTS CODE	PRICE RANK	NEW MARK	PART RANK	DESCRIPTION	
108	QTANN2046SCZZ	AC		C	HV terminal (M1925)	[MC,TC,DC-bias,DRUM]
109	VHPPC817///-1	AF		B	Photo coupler (PC817)	[PD1]
110	VHRS21ME4F/-1	AH		B	Photo triac (S21ME4F)	[PD101]
111	VHGP1S53V/-1	AE		B	Photo transistor (GP1S53V)	[PD301,302]
112	VS2SC1815///-1	AD		B	Transistor (2SC1815)	[Q206]
113	VS2SC1815///-1	AD		B	Transistor (2SC1815)	[Q208]
114	VS2SA933AS/-1	AC		B	Transistor (2SA933AS)	[Q401]
115	VS2SD1264-/-1	AF		B	Transistor (2SC4883)	[Q402]
116	VS2SA933AS/-1	AC		B	Transistor (2SA933AS)	[Q403]
117	VS2SD1264-/-1	AF		B	Transistor (2SC4883)	[Q405]
118	VS2SA933AS/-1	AC		B	Transistor (2SA933AS)	[Q406]
119	VS2SC1815///-1	AD		B	Transistor (2SC1815)	[Q407,408]
120	VHHM8R207C/-1	AE	N	B	Thermistor (M8R207C)	[R1]
121	VRD-HT2EY332J	AA		C	Resistor (1/4W 3.3KΩ ±5%)	[R2]
122	VRD-HT2EY222J	AA		C	Resistor (1/4W 2.2KΩ ±5%)	[R3]
123	VRD-HT2EY681J	AA		C	Resistor (1/4W 680Ω ±5%)	[R4]
124	VRS-RE3DAR33J	AB	N	C	Resistor (2W 0.33Ω ±5%)	[R5]
125	VRS-RE3LA473J	AC	N	C	Resistor (3W 47KΩ ±5%)	[R6]
126	VRD-HT2HY430J	AA		C	Resistor (1/2W 43Ω ±5%)	[R7]
127	VRD-HT2EY152J	AA		C	Resistor (1/4W 1.5KΩ ±5%)	[R8]
128	VRD-HT2HY333J	AA	N	C	Resistor (1/2W 33KΩ ±5%)	[R9,010]
129	VRD-HT2HY154J	AA		C	Resistor (1/2W 150KΩ ±5%)	[R11]
130	VRD-HT2EY394J	AA		C	Resistor (1/4W 390KΩ ±5%)	[R12]
131	VRD-FN2EY121J	AB		C	Resistor (1/4W 120Ω ±5%)	[R101]
132	VRD-FN2EY101J	AB		C	Resistor (1/4W 100Ω ±5%)	[R102]
133	VRD-HT2EY102J	AA		C	Resistor (1/4W 1.0KΩ ±5%)	[R103,104]
134	VRD-HT2EY392J	AA		C	Resistor (1/4W 3.9KΩ ±5%)	[R106]
135	VRD-HT2EY821J	AA		C	Resistor (1/4W 820Ω ±5%)	[R107]
136	VRD-FN2HY100J	AB	N	C	Resistor (1/2W 10Ω ±5%)	[R110]
137	VRS-RE3DA223J	AC		C	Resistor (2W 22KΩ ±5%)	[R111]
138	VRD-HT2HY471J	AA		C	Resistor (1/2W 470Ω ±5%)	[R201]
139	VRD-HT2EY102J	AA		C	Resistor (1/4W 1.0KΩ ±5%)	[R213]
140	VRD-HT2EY331J	AA		C	Resistor (1/4W 330Ω ±5%)	[R214]
141	VRD-HT2EY102J	AA		C	Resistor (1/4W 1.0KΩ ±5%)	[R216]
142	VRD-HT2EY331J	AA		C	Resistor (1/4W 330Ω ±5%)	[R217]
143	VRD-HT2EY471J	AA		C	Resistor (1/4W 470Ω ±5%)	[R220]
144	VRD-HT2EY161J	AA		C	Resistor (1/4W 160Ω ±5%)	[R221]
145	VRD-HT2EY471J	AA		C	Resistor (1/4W 470Ω ±5%)	[R222]
146	VRNHT2EK1502F	AA		C	Resistor (1/4W 15KΩ ±1%)	[R308]
147	VRD-HT2EY912J	AA		C	Resistor (1/4W 9.1KΩ ±5%)	[R309]
148	VRD-HT2EY392J	AA		C	Resistor (1/4W 3.9KΩ ±5%)	[R310]
149	VRD-HT2HY910J	AA		C	Resistor (1/2W 91Ω ±5%)	[R311]
150	VRD-HT2EY203J	AA		C	Resistor (1/4W 20KΩ ±5%)	[R312,313]
151	VRD-HT2EY103J	AA		C	Resistor (1/4W 10KΩ ±5%)	[R314]
152	VRD-HT2EY203J	AA		C	Resistor (1/4W 20KΩ ±5%)	[R315]
153	VRD-HT2EY103J	AA		C	Resistor (1/4W 10KΩ ±5%)	[R316-320]
154	VRD-HT2EY103J	AA		C	Resistor (1/4W 10KΩ ±5%)	[R322-325]
155	VRD-HT2EY681J	AA		C	Resistor (1/4W 680Ω ±5%)	[R329]
156	VRD-HT2EY103J	AA		C	Resistor (1/4W 10KΩ ±5%)	[R330,331]
157	VRNHT2EK1002F	AA		C	Resistor (1/4W 10.0KΩ ±1%)	[R336]
158	VRD-HT2EY105J	AA		C	Resistor (1/4W 1.0MΩ ±5%)	[R337]
159	VRD-HT2EY102J	AA		C	Resistor (1/4W 1.0KΩ ±5%)	[R339]
160	VRD-HT2EY220J	AA		C	Resistor (1/4W 22Ω ±5%)	[R340]
161	VRD-HT2EY103J	AA		C	Resistor (1/4W 10KΩ ±5%)	[R343]
162	VRD-HT2EY100J	AA		C	Resistor (1/4W 10Ω ±5%)	[R350]
163	VRD-HT2EY203J	AA		C	Resistor (1/4W 20KΩ ±5%)	[R351]
164	VRHDPT3AF395J	AD		C	Resistor (1W 3.9MΩ ±5%)	[R402]
165	VRHVKU2HD226K	AG		C	Resistor (1/2W 22MΩ ±10%)	[R403]
166	VRH-PT2HF395J	AC		C	Resistor (1/2W 3.9MΩ ±5%)	[R405]
167	VRD-HT2EY561J	AA		C	Resistor (1/4W 560Ω ±5%)	[R410,411]
168	VRD-HT2EY105J	AA		C	Resistor (1/4W 1.0MΩ ±5%)	[R412,413]
169	VRD-HT2EY512J	AA		C	Resistor (1/4W 5.1KΩ ±5%)	[R414,415]
170	VRD-HT2EY620J	AA		C	Resistor (1/4W 62Ω ±5%)	[R416]
171	VRNHT2EK1102F	AA		C	Resistor (1/4W 11KΩ ±1%)	[R417]
172	VRD-HT2HY3R0J	AB		C	Resistor (1/2W 3.0Ω ±5%)	[R418]
173	VRD-HT2EY153J	AA		C	Resistor (1/4W 15KΩ ±5%)	[R419]
174	VRD-HT2EY472J	AA		C	Resistor (1/4W 4.7KΩ ±5%)	[R420]
175	VRD-HT2EY620J	AA		C	Resistor (1/4W 62Ω ±5%)	[R421]
176	VRD-HT2HY3R0J	AB		C	Resistor (1/2W 3.0Ω ±5%)	[R422]
177	VRD-HT2EY472J	AA		C	Resistor (1/4W 4.7KΩ ±5%)	[R423]
178	VRD-HT2EY153J	AA		C	Resistor (1/4W 15KΩ ±5%)	[R424]
179	VRD-HT2EY203J	AA		C	Resistor (1/4W 20KΩ ±5%)	[R425]
180	VRD-HT2EY103J	AA		C	Resistor (1/4W 10KΩ ±5%)	[R426]
181	VRD-HT2EY104J	AA		C	Resistor (1/4W 100KΩ ±5%)	[R428]
182	VRHVKU2HD507M	AG		C	Resistor (1/2W 500MΩ ±20%)	[R429]
183	VRD-HT2EY472J	AA		C	Resistor (1/4W 4.7KΩ ±5%)	[R430,431]
184	VRHDPT3AF825J	AD		C	Resistor (1W 8.2MΩ ±5%)	[R432]
185	VRD-HT2EY564J	AA		C	Resistor (1/4W 470KΩ ±5%)	[R434]
186	VRD-HT2EY394J	AA		C	Resistor (1/4W 390KΩ ±5%)	[R435]
187	RRLYD3118QCZZ	AH	N	B	Relay (QJ-SH-112LM)	[RY101]

12 PS-PCU PWB Unit

NO.	PARTS CODE	PRICE RANK	NEW MARK	PART RANK	DESCRIPTION
188	RTRNP7009XCZZ	AR	N	B	PS transformer (U0331)
189	RTRNZ0011GCZZ	AL		B	HV transformer 1
190	RTRNZ0012GCZ1	AL		B	HV transformer 2
191	VHSTM1241S-L	AK		B	Thyristor (TM1241S-L)
192	VHV12G271K/-1	AF		B	Varistor
193	VHV12G182K/-1	AH		B	Varistor
194	RVR-MC211QCZZ	AC	N	B	Variable resistor (RH0615CN2J)
195	RVR-MC211QCZZ	AC	N	B	Variable resistor (RH0615CN2J)
196	RVR-M141FQCZZ	AC	N	B	Variable resistor (10KΩ)
197	RVR-MD511QCZZ	AD		B	Variable resistor (RH0615CS5J)
198	RVR-M151CQCZZ	AD		B	Variable resistor (RH0615C15J)
199	RCRSZ0017GCZZ	AH		B	Crystal (14.513385MHz)
200	VHERD7.5EB3-1	AB	N	B	Zener diode (RD7.5EB3)
201	VHERD5.6EB3-1	AB		B	Zener diode (RD5.6EB3)
202	VHERD30JSAB21	AC		B	Zener diode (RD30JSAB21)
203	VHED2.4ESAB11	AC		B	Zener diode (D2.4ESAB11)
204	VHERD100E// -1	AC		B	Zener diode (RD100E)
205	VHERD100E// -1	AC		B	Zener diode (RD100E)
206	PRDAF7010XCZZ	AH	N	C	Heat sink 1
207	PRDAF7011XCZZ	AK	N	C	Heat sink 2
208	QCNW-7216XCZZ	AF	N	C	Safety earth harness
209	QCNW-7227XCZZ	AG	N	C	AC earth harness(BK)
210	QCNW-7228XCZZ	AF	N	C	AC core harness(WH)
211	RCORF7015XCZZ	AF		C	Ferit core (K32,FR16,5/8/16)
212	RCORF7020XCZZ	AG		C	AC inlet core(K32,FR23,8/11,4/14)
213	XBPSD30P06KS0	AA		C	Screw (3x6KS)
214	XBPSD30P10KS0	AB		C	Screw (3x10KS)
	(Unit)				
901	CPWBF1094XC51	BX	N	E	PS-PCU PWB unit

13 CCD PWB Unit

NO.	PARTS CODE	PRICE RANK	NEW MARK	PART RANK	DESCRIPTION
1	VCEAGU1CW226M	AA		C	Capacitor (16WV 22μF)
2	RC-K1E104HCZZ	AA		C	Capacitor (50WV 0.1μF)
3	VCEAGU1CW226M	AA		C	Capacitor (16WV 22μF)
4	RC-K1E104HCZZ	AA		C	Capacitor (50WV 0.1μF)
5	VCEAGU1CW226M	AA		C	Capacitor (16WV 22μF)
6	RC-K1E104HCZZ	AA		C	Capacitor (50WV 0.1μF)
7	QCNCW1132LC1A	AC	N	C	Connector (11pin)
8	VHILX112BA-1	BE	N	B	IC (ILX523A)
9	VHITC74ACT04P	AF	N	B	IC (74HC04)
10	RCiLZ2083SCZZ	AU		C	Beads core (B-01-R)
11	RCiLZ7012XCZZ	AC		C	Beads core (B-01-AT1F)
12	RCiLZ2083SCZZ	AU		C	Beads core (B-01-R)
13	VRD-RV2EY101J	AA	N	C	Resistor (1/4W 100Ω ±5%)
14	VS2SC945// -1	AD		B	Transistor (2SC945A(C)-T)
15	VS2SC1214-C-1	AE		B	Transistor (2SC1214)
16	VRD-HT2EY471J	AA		C	Resistor (1/4W 470Ω ±5%)
17	VRD-HT2EY470J	AA		C	Resistor (1/4W 47Ω ±5%)
18	VRD-HT2EY121J	AA		C	Resistor (1/4W 120Ω ±5%)
19	VRD-HT2EY681J	AA		C	Resistor (1/4W 680Ω ±5%)
20	VRD-HT2EY332J	AA		C	Resistor (1/4W 3.3KΩ ±5%)
21	VRD-HT2EY102J	AA		C	Resistor (1/4W 1.0KΩ ±5%)
22	VRD-HT2EY471J	AA		C	Resistor (1/4W 470Ω ±5%)
23	VRD-HT2EY100J	AA		C	Resistor (1/4W 10Ω ±5%)
24	VRD-HT2EY101J	AA		C	Resistor (1/4W 100Ω ±5%)
25	VRD-HT2EY331J	AA		C	Resistor (1/4W 330Ω ±5%)
26	VRD-RV2EY000J	AA		C	Resistor (1/4W 0Ω ±5%)
27	RVR-MD215QCZZ	AC	N	B	Variable resistor (RH0614CS2J)
28	VHERD3.9EB2-1	AB		B	Zener diode (RD3.9EB2)
	(Unit)				
901	CPWBF1094XC71	BF	N	E	CCD PWB unit



# Index

PARTS CODE	NO.	PRICE RANK	NEW MARK	PART RANK
[C]				
CFRM-0029GC7M	6-501	BV		E
CHLDZ0040GC73	8-24	AU		E
CPLTM0227GC72	7-20	AN		E
CPLTP0162GC52	7-41	AM	N	E
CPWBF1091XC52	2-13	BM	N	E
"	11-901	BM	N	E
CPWBF1094XC51	1-8	BX	N	E
"	12-901	BX	N	E
CPWBF1094XC61	1-9	AV		E
CPWBF1094XC71	4-38	BF	N	E
"	13-901	BF	N	E
CPWBX1089XC53	1-12	CK	N	E
"	10-901	CK	N	E
CSOU-0007GC88	5-501	AV	N	E
CSW-M7039XC51	5-38	AL		E
[D]				
DUNTK7431XCZZ	1-2	AQ		E
DUNTK7432XCZZ	5-503	AP		E
DUNTK7445XCZZ	5-502	AN		E
DUNTK7466XCZZ	4-10	BA	N	E
DUNTW0100GCM2	5-504	BN		E
"	8-901	BN		E
[G]				
GCABA7045XCFZ	1-3	AZ	N	D
GCABB7046XCFZ	1-4	AR	N	D
GCABC7047XCFZ	1-1	AR	N	D
GCABD7048XCFZ	1-14	AZ	N	D
GCABE7049XCFZ	4-1	AN	N	D
GCABF7050XCFZ	2-2	AY	N	D
GCABG7051XCFZ	1-11	AN	N	D
GC0VA7041XCZZ	1-39	AF	N	C
GLEGG7006XCZZ	1-15	AC		C
[H]				
HPNLH7026XCFZ	2-1	AQ	N	D
[J]				
JBTN-7013XCFZ	2-6	AN	N	C
JBTN-7014XCZZ	2-9	AG		C
JBTN-7015XCZZ	2-8	AG		C
JBTN-7016XCFZ	2-7	AG	N	C
JBTN-7017XCFZ	2-10	AH	N	C
JBTN-7018XCZZ	2-5	AK		C
JKNBZ0004GCZZ	8-2	AC		C
[L]				
LANGT7142XCZZ	5-37	AF		C
LBNDJ2003SCZZ	5-49	AA		C
LBOSZ0058GCZZ	6-14	AE		C
LBOSZ7018XCZZ	4-16	AD		C
LFIX-0003GCZZ	6-9	AC		C
LFIX-7030XCZZ	3-8	AE		C
LFIX-7031XCZA	4-36	AD		C
LFIX-7032XCZZ	4-30	AD		C
LFRM-0027GCZ3	7-11	AY		C
LHLDZ0045GCZZ	7-49	AD		C
LHLDZ7046XCZZ	4-35	AF		C
LHLDZ7047XCFZ	4-28	AG	N	C
LPLTG2707SCZZ	3-9	AE		C
LPLTM0159GCZZ	5-22	AD		C
LPLTM0163GCZZ	7-16	AE		C
LPLTM7058XCZA	1-10	AH		C
LPLTM7060XCZZ	5-47	AC		C
LPLTM7061XCZZ	4-21	AD		C
LPLTP2748SCFZ	9-5	AN	N	C
LPLTP2749SCFZ	9-6	AF	N	C
LPLTP2750SCMZ	9-8	AQ		C
LPLTP7059XCFZ	4-18	AF	N	C
LPLTP7065XCZZ	5-48	AD	N	C
LSOU-0007GCZ3	5-2	AP		D
LSOU-7001XCFZ	4-49	AN	N	D
LSOU-7002XCZA	9-9	AN		D
LSOU-7003XCZZ	9-10	AQ		D
LSUPP0008GCZZ	6-25	AF		C
LX-BZ0028GCZ1	4-56	AC		C
LX-BZ0030GCZZ	8-36	AB		C
LX-BZ0187FCZ1	6-33	AA		C
LX-BZ2182SCZZ	4-41	AB		C
LX-BZ7055XCZZ	5-40	AC		C
LX-BZ7056XCZZ	4-6	AC		C
LX-NZ1017HCZZ	7-42	AA		C

PARTS CODE	NO.	PRICE RANK	NEW MARK	PART RANK
LX-UZ3006NCZZ	5-35	AA		C
LX-WZ0044FCZZ	7-8	AA		C
LX-WZ1013HCZZ	5-31	AA		C
LX-WZ5028BCZZ	4-57	AA		C
LX-WZ7012XCZZ	1-38	AB	N	C
[M]				
MHNG-7007XCFZ	1-29	AF	N	C
"	4-25	AF	N	C
MHNG-7008XCFZ	1-28	AF	N	C
"	4-26	AF	N	C
MLEVP0037GCZZ	5-26	AB		C
MLEVP0038GCZZ	7-6	AC		C
MLEVP0039GCZZ	7-19	AC		C
MLEVP0041GCZZ	5-14	AC		C
MLEVP0042GCZ1	6-3	AC		C
MLEVP0043GCZ1	5-3	AF		C
MLEVP0045GCZZ	7-25	AC		C
MLEVP0046GCZZ	6-5	AE		C
MLEVP0077GCZZ	7-24	AD		C
MLEVP0078GCZZ	7-48	AD		C
MLEVP7021XCZZ	3-12	AE		C
MLEVP7022XCZZ	3-5	AE		C
MLEVP7023XCFZ	4-29	AD	N	C
MLEVP7024XCZZ	5-42	AE		C
MSPRC0133GCA1	7-27	AB		C
MSPRC0134GCZZ	7-29	AD		C
MSPRC0135GCAZ	5-28	AB		C
MSPRC0139GCAZ	5-13	AB		C
MSPRC0143GCA1	5-33	AA		C
MSPRC0155GCA2	7-5	AB		C
MSPRC0159GCAZ	6-17	AB		C
MSPRC0224GCAZ	6-19	AA		C
MSPRC0241GCAZ	7-40	AD		C
MSPRC0292GCZZ	7-4	AB		C
MSPRC0293GCZZ	6-31	AB		C
MSPRC7129XCZA	3-1	AC		C
MSPRC7130XCZA	3-16	AB		C
MSPRC7131XCZZ	4-15	AC		C
MSPRC7132XCZA	4-4	AB		C
MSPRC7139XCZA	5-41	AC	N	C
MSPRD0227GCA1	8-23	AB		C
MSPRD7126XCZZ	3-11	AC		C
MSPRD7140XCZZ	3-4	AC		C
MSPRP0158GCAZ	7-7	AB		C
MSPRP7128XCZB	3-10	AF	N	C
MSPRP7135XCZZ	4-46	AD		C
MSPRP7136XCZZ	2-3	AE		C
MSPRT0137GCAZ	6-12	AC		C
MSPRT0138GCA1	7-13	AA		C
MSPRT0141GCA1	7-17	AB		C
MSPRT0226GCAZ	1-6	AA		C
MSPRT0228GCAZ	8-26	AA		C
MSPRT0230GCAZ	5-32	AB		C
MSPRT7127XCZA	3-6	AD		C
MSPRT7147XCZZ	1-34	AC		C
[N]				
NBLTT0018GCAZ	7-35	AC		B
NBRGC0035GCZ1	8-10	AE		C
NBRGP0032GCZ3	7-8	AC		C
NBRGP0082GCZ3	8-15	AB		C
NFANP7014XCZZ	1-24	AW		B
NGERH0071GCZZ	5-23	AC		C
NGERH0072GCZ1	5-24	AD		C
NGERH0074GCZZ	5-30	AC		C
NGERH0075GCZ2	5-8	AF		C
NGERH0076GCZZ	5-7	AC		C
NGERH0077GCZZ	5-29	AC		C
NGERH0078GCZZ	5-27	AC		C
NGERH0080GCZZ	6-10	AE		C
NGERH0082GCZ1	7-2	AC		C
NGERH0083GCZZ	8-12	AC		C
NGERH0094GCZZ	5-15	AC		C
NGERH0095GCZZ	5-16	AD		C
NGERH0096GCZZ	5-17	AC		C
NGERH0097GCZZ	8-7	AC		C
NGERH0098GCZZ	8-31	AC		C
NGERH7050XCZZ	4-14	AE		C
NGERH7051XCZZ	4-11	AE		C
NGERH7052XCZZ	4-5	AE		C
NGERH7053XCZZ	4-19	AE		C
NGERH7054XCZZ	4-20	AD		C

PARTS CODE	NO.	PRICE RANK	NEW MARK	PART RANK
NR0LM0061GCZ3	8- 13	AU		C
NR0LP0037GCZZ	4- 47	AB		C
NR0LP0056GCA1	6- 15	AQ		C
NR0LP0059GCZZ	3- 3	AC		C
NR0LP0060GCZ3	7- 1	AY		C
NR0LP0091GCAZ	7- 18	AE		C
NR0LP0092GCZZ	7- 34	AC		C
NR0LP0093GCZZ	1- 7	AC		C
NR0LP0095GCA1	8- 19	AG		C
NR0LP0103GCZZ	8- 1	AF		C
NR0LP0104GCZZ	8- 18	AG		C
NR0LR7041XCZZ	4- 17	AP		C
NR0LR7042XCZZ	4- 12	AN		C
NSFTZ7062XCZZ	3- 2	AE		C
[P]				
PBARM0001GCA1	8- 16	AD		C
PBRSS7009XCZZ	3- 19	AK		B
PCASZ0019GCZZ	7- 23	AF		C
PCASZ7002XCZA	1- 13	AR		C
PC0VP0038GCAZ	7- 26	AA		C
PC0VP0046GCZ2	5- 18	AC		C
PC0VP0048GCZZ	8- 6	AV		C
PC0VP0072GCZZ	8- 20	AG		C
PC0VP7029XCFZ	4- 44	AU	N	C
PC0VP7030XCZZ	1- 27	AC		C
PC0VP7034XCZA	4- 55	AC		C
PCUSU7020XCZZ	3- 21	AB		C
PGiDM0046GCZ1	5- 1	AE		C
PGiDM7044XCFA	3- 15	AT	N	C
PGiDM7045XCFZ	4- 2	AE	N	C
PGiDM7046XCFZ	4- 3	AE	N	C
PGiDM7047XCFA	4- 27	AZ	N	C
PGiDM7048XCZZ	1- 5	AL		C
PGLSP7008XCZZ	4- 8	AG		B
PLNS-7018XCZZ	4- 34	AY		B
PMiR-7030XCZZ	4- 32	AH		B
PMiR-7031XCZZ	4- 31	AH		B
PMLT-0053GCAZ	8- 28	AB		C
PMLT-0054GCAZ	8- 27	AB		C
PIPP0003GCZ1	6- 11	AC		C
PIPP0006GCZ2	6- 13	AC		C
PRDAF7010XCZZ	12-206	AH	N	C
PRDAF7011XCZZ	12-207	AK	N	C
PSEL-0165GCZZ	6- 35	AD		C
PSEL-0166GCZZ	6- 34	AC		C
PSEL-7001XCFA	5- 4	AD	N	C
PSEL-7006XCZZ	7- 51	AC		C
PSHEP0115GCZ5	7- 22	AR	N	C
PSHEP0150GCAZ	7- 31	AC		C
PSHEP0151GCAZ	7- 30	AC		C
PSHEP0156GCZZ	4- 43	AD		C
PSHEP0158GCAZ	7- 32	AC		C
PSHEP0161GCZ1	8- 32	AC		C
PSHEP0164GCZZ	6- 23	AK		C
PSHEP0166GCZZ	6- 21	AC		C
PSHEP0171GCZZ	6- 24	AF		C
PSHEP0172GCZZ	8- 34	AE		C
PSHEP0204GCZZ	6- 32	AD		C
PSHEP0222GCZZ	7- 45	AB		C
PSHEP7194XCZA	4- 45	AC		C
PSHEP7196XCZA	4- 7	AB		C
PSHEP7197XCZZ	3- 7	AC		C
PSHEP7198XCZZ	4- 51	AC		C
PSHEP7201XCZZ	3- 20	AC		C
PSHEP7202XCZZ	6- 38	AC		C
PSHEP7203XCZZ	6- 37	AC		C
PSHEP7205XCZZ	7- 52	AE		C
PSHEP7206XCZZ	7- 53	AC		C
PSHEP7208XCZZ	1- 31	AH		C
PSHEP7212XCZZ	4- 54	AC		C
PSHEP7214XCZZ	3- 23	AC		C
PSHEZ0190GCZZ	5- 5	AC		C
PSHEZ0199GCZ1	7- 50	AE		C
PSHEZ0200GCZZ	7- 44	AE		C
PSHEZ7186XCZZ	3- 17	AC		C
PSHT-0015GCZZ	7- 47	AC		C
PSLDM7026XCZZ	1- 30	AQ		C
PSPA7079XCZZ	11- 8	AE	N	C
PTME-0022GCZZ	8- 22	AF		C
PTPE-0014GCZZ	7- 43	AG		C
PTPE-0016GCAZ	2- 15	AB		C

PARTS CODE	NO.	PRICE RANK	NEW MARK	PART RANK
PTPE-0016GCAZ	4- 53	AB		C
PTPE-0022GCZZ	6- 36	AB		C
PWiR-7005XCZZ	9- 11	AM		D
[Q]				
QACCD7618QCZZ	9- 2	AQ		B
QCNCM0860FCZZ	12- 60	AB		C
QCNCM0876FCZZ	12- 57	AB		C
QCNCM7014SC0B	10-118	AD		C
"	12- 56	AD		C
QCNCM7014SC0C	10-111	AA		C
"	12- 54	AA		C
"	12- 61	AA		C
QCNCM7014SC0F	10-112	AB		C
QCNCM7022SC0B	12- 58	AB		C
"	12- 62	AB		C
QCNCM7032XC3J	10-115	AN	N	C
QCNCM7037XC0B	12- 63	AB	N	C
QCNCW0053GCZZ	12- 55	AD		C
QCNCW0946FCZZ	10-116	AH	N	C
QCNCW1132LC1A	13- 7	AC	N	C
QCNCW5092SC0D	10-117	AL	N	C
QCNCW7030XC1A	10-114	AC	N	C
QCNCW7031XC1D	10-113	AD	N	C
QCNCW7033XC3J	12- 59	AN	N	C
QCNCW7034XC1C	11- 3	AD	N	C
QCNCW7034XC1D	11- 4	AD	N	C
QCNCW7038XC1C	10-119	AD	N	C
QCNW-7193XCZZ	5- 45	AE		C
QCNW-7197XCZZ	9- 4	AH		C
QCNW-7198XCZA	12- 53	AE	N	C
QCNW-7199XCZA	12- 52	AE	N	C
QCNW-7200XCZZ	12- 2	AE	N	C
QCNW-7201XCZZ	12- 3	AE	N	C
QCNW-7202XCZA	12- 64	AD	N	C
QCNW-7203XCZZ	12- 1	AE	N	C
QCNW-7204XCZZ	11- 5	AD	N	C
QCNW-7209XCZZ	12- 90	AE	N	C
QCNW-7210XCZZ	12- 82	AD	N	C
QCNW-7211XCZZ	12- 81	AD	N	C
QCNW-7213XCZZ	3- 18	AD		C
QCNW-7216XCZZ	12-208	AF	N	C
QCNW-7218XCZZ	12- 91	AE	N	C
QCNW-7227XCZZ	12-209	AG	N	C
QCNW-7228XCZZ	12-210	AF	N	C
QCNW-7230XCZZ	2- 11	AW		C
QCNW-7231XCZZ	2- 12	AV		C
QCNW-7232XCZZ	2- 17	AT		C
"	4- 37	AT		C
QFS-G4110QCZZ	10-131	AG		A
QFS-T0005GCZZ	8- 8	AQ		A
QFS-Z7006XCZZ	12- 84	AD	N	A
QFS-Z7011XCZZ	12- 85	AD	N	A
QFS-Z7012XCZZ	12- 87	AD	N	A
QFS-Z7013XCZZ	12- 88	AF	N	A
QFSHB0001GCZZ	12- 83	AB		C
"	12- 86	AB		C
QSLP-0028GCZZ	7- 15	AE		C
QSLP-0029GCZZ	8- 5	AD		C
QSLP-0030GCZZ	8- 17	AD		C
QSLP-0032GCZZ	7- 12	AD		C
QS0CA7005XCZZ	12- 51	AH	N	C
QS0CZ0051FCZZ	10-304	AD		C
QSW-M7039XCZZ	11- 18	AE	N	B
QSW-P0444FCZZ	11- 17	AB		B
QSW-Z9030QCZZ	5- 44	AG		B
QTANN2046SCZZ	12-108	AC		C
[R]				
RC-K1E104HCZZ	12- 18	AA		C
"	12- 27	AA		C
"	12- 31	AA		C
"	13- 2	AA		C
"	13- 4	AA		C
"	13- 6	AA		C
RC-KZ2005SCZZ	12- 10	AA		C
"	12- 17	AA		C
RCiLZ1032CCZZ	10-137	AD		C
"	12-106	AD		C
"	12-107	AD		C
RCiLZ2083SCZZ	13- 10	AU		C
"	13- 12	AU		C
RCiLZ5017SCZZ	10-136	AB		C

PARTS CODE	NO.	PRICE RANK	NEW MARK	PART RANK
RCILZ7008XCZZ	10-146	AD		C
"	10-148	AD		C
"	10-150	AD		C
"	10-153	AD		C
"	10-157	AD		C
"	10-159	AD		C
"	10-187	AD		C
"	10-227	AD		C
"	10-289	AD		C
RCILZ7009XCZZ	10-201	AC		C
RCILZ7011XCZZ	10-135	AE		C
"	10-143	AE		C
RCILZ7012XCZZ	12-89	AC		C
"	13-11	AC		C
RCILZ7013XCZZ	10-134	AD	N	C
RCILZ7014XCZZ	12-105	AG	N	C
RCILZ7017XCZZ	10-145	AD	N	C
"	10-158	AD	N	C
RCORF7013XCZZ	5-12	AH		C
RCORF7015XCZZ	1-36	AF		C
"	12-211	AF		C
RCORF7016XCZZ	2-16	AG		C
RCORF7017XCZZ	1-33	AK		C
RCORF7018XCZZ	1-32	AG		C
RCORF7019XCZZ	1-35	AE		C
RCORF7020XCZZ	1-37	AG		C
"	12-212	AG		C
RCRSP6676RCZZ	10-333	AG		B
"	10-335	AG		B
RCRSZ0017GCZZ	12-199	AH		B
RCRSZ7005XCZZ	10-334	AH	N	B
RDTCT0014GCZZ	8-9	AP		B
RFILN0002GCZZ	12-104	AC		B
RFILN7007XCZZ	12-103	AK	N	B
RLMPU0019GCZZ	8-14	AX		B
RMOTN0034GCZZ	6-7	AX		B
RMOTZ7024XCZZ	4-22	AV		B
RMPTC8102QCKB	10-294	AD		B
RMPTC8103QCKB	10-290	AD		B
RMPTC8223QCKB	10-291	AD		B
"	10-292	AD		B
RMPTW4220QCKB	10-293	AB		B
RPLU-0003GCZ1	6-2	AM		B
RRLYD3118QCZZ	12-187	AH	N	B
RRLYD3416QCZZ	10-133	AN	N	B
RTRNP7008XCZZ	10-297	AR	N	B
RTRNP7009XCZZ	12-188	AR	N	B
RTRNZ0011GCZZ	12-189	AL		B
RTRNZ0012GCZ1	12-190	AL		B
RVR-M141FQCZZ	12-196	AC	N	B
RVR-M151CQCZZ	12-198	AD		B
RVR-MC211QCZZ	12-194	AC	N	B
"	12-195	AC	N	B
RVR-MD215QCZZ	13-27	AC	N	B
RVR-MD511QCZZ	12-197	AD		B
{S}				
SPAKA7665XCZZ	9-14	AK		D
SPAKA7666XCZZ	9-13	AK		D
SPAKA7694XCZZ	9-12	AG		D
SPAKC7700XCZZ	9-15	AS	N	D
SSAKA2340QCZZ	9-3	AA		D
SSAKA2440QCZZ	9-22	AB		D
SSAKA3340QCZZ	9-21	AB		D
SSAKZ7018XCZZ	9-16	AD		D
{T}				
TCAUA0770FCZZ	1-26	AB		C
TINSE7262XCZZ	9-19	AY	N	D
TLABH7392XCZZ	9-7	AK	N	C
TLABP7389XCZZ	9-1	AB		C
TLABZ7393XCZZ	9-20	AD	N	C
{U}				
UBATL2034SCZZ	10-2	AH		A
{V}				
VCCCCY1EH102J	10-88	AB		C
VCCCCY1HH101J	10-5	AA		C
"	10-18	AA		C
"	10-35	AA		C
"	10-69	AA		C
"	10-101	AA		C
"	10-104	AA		C
VCCCCY1HH201J	10-95	AA		C

PARTS CODE	NO.	PRICE RANK	NEW MARK	PART RANK
VCCCCY1HH220J	10-12	AA		C
"	10-14	AA		C
VCCCCY1HH471J	10-75	AA		C
VCCCPU1HH270J	12-32	AA		C
VCCCTQ1HH332J	10-29	AC	N	C
VCCCTV1HH152J	10-102	AA	N	C
VCCCTV1HH222J	10-80	AB		C
"	10-83	AB		C
VCE9GU2AC106M	10-43	AD	N	C
VCEA4A1AN228M	12-25	AE	N	C
VCEA4A1EN228M	12-16	AF	N	C
VCEAEA1VW106M	10-32	AC	N	C
VCEAEA1VW226M	10-9	AA		C
"	10-11	AA		C
"	10-28	AA		C
"	10-31	AA		C
"	10-36	AA		C
"	10-38	AA		C
"	10-108	AA		C
VCEAEU1CW107M	10-10	AB		C
"	10-37	AB		C
"	10-39	AB		C
"	10-41	AB		C
VCEAEU1CW476M	10-107	AB		C
"	10-110	AB		C
VCEAEU1EW107M	10-26	AB		C
VCEAEU2DW277M	12-4	AP	N	C
VCEAGU1CW226M	13-1	AA		C
"	13-3	AA		C
"	13-5	AA		C
VCEAJU1CW226M	11-1	AB		C
VCEANH1EW228M	12-24	AF	N	C
VCEAZA1AW476M	12-28	AB	N	C
VCEAZA1EW106M	12-21	AB	N	C
VCEAZA1EW107M	12-20	AC	N	C
VCEAZA1EW475M	12-46	AB	N	C
VCEAZA1EW476M	12-19	AC	N	C
"	12-37	AC	N	C
VCEAZA1VW476M	12-5	AC	N	C
VCEAZU1HW105M	12-23	AB	N	C
VCFYEG2EC223M	10-109	AE	N	C
VCFYFU2EE104K	12-12	AD		C
VCFYFU2EE224K	12-14	AD		C
VCFYJU2EA334K	10-86	AD		C
"	10-89	AD		C
"	10-93	AD		C
VCFYJU2EA474K	10-45	AD		C
VCFYJU2EA824K	10-94	AE		C
"	10-98	AE		C
VCFYMU2GA229K	12-9	AF	N	C
VCKYCY1CB333K	10-97	AB		C
VCKYCY1EF104Z	10-17	AA		C
"	10-23	AA		C
"	10-50	AA		C
"	10-70	AA		C
"	10-76	AA		C
VCKYCY1HB102K	10-13	AA		C
"	10-16	AA		C
"	10-22	AA		C
"	10-59	AA		C
"	10-61	AA		C
"	10-63	AA		C
"	10-65	AA		C
"	10-82	AA		C
VCKYCY1HB103K	10-55	AA		C
"	10-57	AA		C
"	10-91	AA		C
"	10-106	AA		C
VCKYCY1HB182K	10-68	AA		C
VCKYCY1HB331K	10-33	AA		C
"	10-100	AA		C
"	10-103	AA		C
VCKYCY1HB471K	10-81	AB		C
"	10-84	AB		C
VCKYCY1HB681K	10-105	AB		C
VCKYCY1HF473Z	10-3	AA	N	C
"	10-4	AA	N	C
"	10-6	AA	N	C
"	10-7	AA	N	C
"	10-8	AA	N	C
"	10-15	AA	N	C

PARTS CODE	NO.	PRICE RANK	NEW MARK	PART RANK
VCKYCY1HF473Z	10- 21	AA	N	C
"	10- 24	AA	N	C
"	10- 25	AA	N	C
"	10- 27	AA	N	C
"	10- 30	AA	N	C
"	10- 34	AA	N	C
"	10- 40	AA	N	C
"	10- 47	AA	N	C
"	10- 48	AA	N	C
"	10- 49	AA	N	C
"	10- 51	AA	N	C
"	10- 52	AA	N	C
"	10- 53	AA	N	C
"	10- 54	AA	N	C
"	10- 56	AA	N	C
"	10- 58	AA	N	C
"	10- 60	AA	N	C
"	10- 62	AA	N	C
"	10- 64	AA	N	C
"	10- 66	AA	N	C
"	10- 67	AA	N	C
"	10- 71	AA	N	C
"	10- 72	AA	N	C
"	10- 73	AA	N	C
"	10- 77	AA	N	C
"	10- 79	AA	N	C
"	10- 85	AA	N	C
"	10- 87	AA	N	C
"	10- 90	AA	N	C
"	10- 92	AA	N	C
"	10- 96	AA	N	C
"	10- 99	AA	N	C
VCKYPU1HB102K	12- 33	AA		C
"	12- 45	AA		C
"	12- 49	AA		C
VCKYPU1HB391K	12- 36	AA		C
VCKYPU1HB471K	12- 8	AA	N	C
VCKYPU1HB472K	12- 30	AA		C
"	12- 34	AA		C
"	12- 38	AA		C
VCKYPU2HB332K	12- 47	AB		C
VCKYQY3AB102K	12- 42	AC		C
VCKYQY3AC103Z	12- 22	AD	N	C
VCKYQY3DB102K	10- 42	AC	N	C
"	10- 44	AC	N	C
"	10- 46	AC	N	C
VCKYQY3DB151K	12- 40	AC		C
VCKYQY3FB102K	12- 41	AD		C
"	12- 50	AD		C
VCKYSU2EB222M	12- 7	AD		C
"	12- 13	AD		C
VCKYSU2EB472M	12- 11	AD		C
VCQYNU1HM104K	12- 15	AB		C
VCQYNU1HM153K	12- 39	AA		C
VCQYNU1HM222K	12- 6	AA		C
"	12- 43	AA		C
VCQYNU1HM332J	10- 20	AC	N	C
VCQYNU1HM472K	12- 44	AA		C
"	12- 48	AA		C
VCQYNU1HM683J	10- 19	AC	N	C
VCTYPU1HF104Z	11- 2	AB		C
"	12- 26	AB		C
"	12- 29	AB		C
"	12- 35	AB		C
VHD1SS355//--1	10-120	AB		B
"	10-128	AB		B
VHDAG01YV0/--1	12- 66	AD	N	B
"	12- 70	AD	N	B
VHDAU01ZV0/--1	12- 67	AC	N	B
"	12- 69	AC	N	B
"	12- 72	AC	N	B
VHDD3SBA60/--1	12- 65	AG		B
VHDDSM1D1//--1	12- 77	AB		B
"	12- 78	AB		B
VHDDSS131//--1	10-125	AA		B
VHDDSS133//--1	12- 74	AA		B
VHDEG01AV0/--1	12- 68	AD	N	B
VHDFMB36//--1	12- 71	AL	N	B
VHDRB751V40--1	10-123	AD		B
"	10-130	AD		B
VHDRK33LFA1--1	12- 73	AE		B

PARTS CODE	NO.	PRICE RANK	NEW MARK	PART RANK
VHDS1NB60//--1	10- 1	AD		B
VHDSHV02//--1	12- 76	AD		B
"	12- 79	AD		B
VHDSHV03//--1	12- 75	AE		B
"	12- 80	AE		B
VHED2.4ESAB11	12-203	AC		B
VHEHZ15-2//--1	10-121	AB		B
VHERD100E//--1	12-204	AC		B
"	12-205	AC		B
VHERD2.7EB2-1	10-126	AB		B
VHERD3.9EB2-1	13- 28	AB		B
VHERD30JSAB21	10-127	AC		B
"	12-202	AC		B
VHERD4.3EL3-1	10-122	AB		B
"	10-124	AB		B
VHERD5.6EB3-1	12-201	AB		B
VHERD7.5EB3-1	12-200	AB	N	B
VHMM8R207C/--1	12-120	AE	N	B
VHi27080S003A	10-305	BE	N	B
VHi377P8-016/	12- 99	BC	N	B
VHiACT1284NS/	10-331	AK	N	B
VHiBU4052BCF1	10-324	AF	N	B
VHiBU4053BCF1	10-311	AE		B
VHiCGS410//--1	10-313	AU	N	B
VHiHY18164JC6	10-303	BE	N	B
VHiILX112BA-1	13- 8	BE	N	B
VHiLC82103/--1	10-308	BA	N	B
VHiLC8213K/--1	10-309	AZ	N	B
VHiLF347//--1	10-326	AN	N	B
VHiLF353M//--1	10-312	AH	N	B
VHiLM311//--1F	10-329	AD		B
VHiLM386M//--1	10-327	AE		B
VHiM51953BL-1	10-332	AF		B
VHiMB46533203	10-320	BD	N	B
VHiMC74HC10-1	12-100	AE		B
VHiMM74HC4053	10-325	AH	N	B
"	10-328	AH	N	B
VHiN341256J20	10-302	AN	N	B
VHiNJM78L12A1	12- 95	AE		B
VHiNJU6355E-1	10-306	AM		B
VHiNSFX164-25	10-315	BK	N	B
VHiNSFX200-25	10-316	BG	N	B
VHiPQ12RD11-1	12- 94	AG	N	B
VHiS18050LF11	12- 96	AN	N	B
VHiSLA7027MUL	10-317	AQ	N	B
VHiSN74F244-1	10-322	AH		B
"	10-323	AH		B
VHiSN74F32NS/	10-318	AD		B
VHiSN74LS145N	11- 10	AH		B
VHiSN74LS244N	10-300	AS		B
VHiSN74LS273N	10-314	AQ		B
VHiSN74LS373N	10-298	AL		B
VHiSN74LS374N	10-299	AL		B
VHiSTR-F6514/	12- 92	AS		B
VHiTA7291S/--1	12- 97	AF		B
VHiTC74ACT04P	13- 9	AF	N	B
VHiTL431CLP-2	10-301	AG		B
"	12- 93	AG		B
VHiULN2003AN1	12- 98	AE		B
VHiULN2003ANS	10-307	AE		B
"	10-330	AE		B
VHiVG4265BJ40	10-319	AX		B
VHiW2465S70LL	10-321	AW		B
VHPGL3EG8//--1	11- 7	AA		B
VHPGL3HS8//--1	11- 6	AB		B
VHPGP1S24//--1	11- 11	AF	N	B
VHPGP1S53V/--1	12-111	AE		B
VHPPC817//--1	12-109	AF		B
VHPPC824//--1	10-310	AL		B
VHRS21ME4F/--1	12-110	AH		B
VHSTM1241S-L/	12-191	AK		B
VHV12G182K/--1	12-193	AH		B
VHV12G271K/--1	12-192	AF		B
VHV1CPN25//--1	12-101	AD		B
VHV1CPN38//--1	12-102	AF		B
VHV1CPN70//--1	10-132	AF		B
VHVTNR12G751K	10-296	AF	N	B
VHVTNR9G391K/	10-295	AD	N	B
VRD-FN2EY101J	12-132	AB		C
VRD-FN2EY121J	12-131	AB		C
VRD-FN2HY100J	12-136	AB	N	C

PARTS CODE	NO.	PRICE RANK	NEW MARK	PART RANK
VRD-HT2EY100J	12-162	AA		C
"	13- 23	AA		C
VRD-HT2EY101J	13- 24	AA		C
VRD-HT2EY102J	11- 16	AA		C
"	12-133	AA		C
"	12-139	AA		C
"	12-141	AA		C
"	12-159	AA		C
"	13- 21	AA		C
VRD-HT2EY103J	11- 12	AA		C
"	12-151	AA		C
"	12-153	AA		C
"	12-154	AA		C
"	12-156	AA		C
"	12-161	AA		C
"	12-180	AA		C
VRD-HT2EY104J	3- 24	AA		C
"	12-181	AA		C
VRD-HT2EY105J	12-158	AA		C
"	12-168	AA		C
VRD-HT2EY121J	13- 18	AA		C
VRD-HT2EY152J	12-127	AA		C
VRD-HT2EY153J	12-173	AA		C
"	12-178	AA		C
VRD-HT2EY161J	12-144	AA		C
VRD-HT2EY181J	11- 15	AA		C
VRD-HT2EY203J	12-150	AA		C
"	12-152	AA		C
"	12-163	AA		C
"	12-179	AA		C
VRD-HT2EY220J	12-160	AA		C
VRD-HT2EY222J	12-122	AA		C
VRD-HT2EY331J	12-140	AA		C
"	12-142	AA		C
"	13- 25	AA		C
VRD-HT2EY332J	12-121	AA		C
"	13- 20	AA		C
VRD-HT2EY391J	11- 13	AA		C
VRD-HT2EY392J	12-134	AA		C
"	12-148	AA		C
VRD-HT2EY394J	12-130	AA		C
"	12-186	AA		C
VRD-HT2EY470J	13- 17	AA		C
VRD-HT2EY471J	12-143	AA		C
"	12-145	AA		C
"	13- 16	AA		C
"	13- 22	AA		C
VRD-HT2EY472J	12-174	AA		C
"	12-177	AA		C
"	12-183	AA		C
VRD-HT2EY512J	12-169	AA		C
VRD-HT2EY561J	12-167	AA		C
VRD-HT2EY564J	12-185	AA		C
VRD-HT2EY620J	12-170	AA		C
"	12-175	AA		C
VRD-HT2EY681J	12-123	AA		C
"	12-155	AA		C
"	13- 19	AA		C
VRD-HT2EY821J	12-135	AA		C
VRD-HT2EY912J	12-147	AA		C
VRD-HT2HY101J	10-275	AA		C
VRD-HT2HY123J	10-276	AB		C
VRD-HT2HY154J	12-129	AA		C
VRD-HT2HY333J	12-128	AA	N	C
VRD-HT2HY3R0J	12-172	AB		C
"	12-176	AB		C
VRD-HT2HY430J	12-126	AA		C
VRD-HT2HY471J	12-138	AA		C
VRD-HT2HY910J	11- 14	AA		C
"	12-149	AA		C
VRD-RC2EY100J	10-230	AA		C
VRD-RC2EY330J	10-229	AA		C
VRD-RV2EY000J	13- 26	AA		C
VRD-RV2EY101J	13- 13	AA	N	C
VRH-PT2HF395J	12-166	AC		C
VRHDPT3AF395J	12-164	AD		C
VRHDPT3AF825J	12-184	AD		C
VRHVKU2HD226K	12-185	AG		C
VRHVKU2HD507M	12-182	AG		C
VRNHT2EK1002F	12-157	AA		C
VRNHT2EK1102F	12-171	AA		C

PARTS CODE	NO.	PRICE RANK	NEW MARK	PART RANK
VRNHT2EK1502F	12-146	AA		C
VRS-RE3AA150J	10-271	AB		C
VRS-RE3DA223J	12-137	AC		C
VRS-RE3DA2R0J	10-183	AC	N	C
"	10-185	AC	N	C
VRS-RE3DAR33J	12-124	AB	N	C
VRS-RE3LA473J	12-125	AC	N	C
VRS-TS2AD000J	10-129	AA		C
"	10-138	AA		C
"	10-147	AA		C
"	10-151	AA		C
"	10-154	AA		C
"	10-167	AA		C
"	10-172	AA		C
"	10-269	AA		C
"	10-287	AA		C
VRS-TS2AD100J	10-262	AA		C
VRS-TS2AD101J	10-149	AA		C
"	10-152	AA		C
"	10-171	AA		C
"	10-173	AA		C
"	10-200	AA		C
"	10-202	AA		C
"	10-203	AA		C
"	10-204	AA		C
"	10-205	AA		C
"	10-206	AA		C
"	10-207	AA		C
"	10-208	AA		C
"	10-209	AA		C
VRS-TS2AD102J	10-216	AA		C
"	10-226	AA		C
"	10-228	AA		C
"	10-241	AA		C
"	10-248	AA		C
"	10-266	AA		C
"	10-281	AA		C
"	10-284	AA		C
"	10-285	AA		C
VRS-TS2AD103J	10-168	AA		C
"	10-170	AA		C
"	10-174	AA		C
"	10-180	AA		C
"	10-184	AA		C
"	10-188	AA		C
"	10-190	AA		C
"	10-193	AA		C
"	10-214	AA		C
"	10-218	AA		C
"	10-225	AA		C
"	10-231	AA		C
"	10-236	AA		C
"	10-257	AA		C
"	10-264	AA		C
"	10-280	AA		C
"	10-282	AA		C
VRS-TS2AD105J	10-177	AA		C
VRS-TS2AD106J	10-178	AA		C
VRS-TS2AD122J	10-240	AA		C
VRS-TS2AD123J	10-196	AA		C
"	10-217	AA		C
VRS-TS2AD152J	10-210	AA		C
VRS-TS2AD154J	10-176	AA		C
VRS-TS2AD181J	10-139	AA		C
"	10-142	AA		C
"	10-144	AA		C
"	10-155	AA		C
VRS-TS2AD182J	10-223	AA		C
VRS-TS2AD204J	10-194	AA	N	C
VRS-TS2AD220J	10-169	AA		C
"	10-186	AA		C
"	10-189	AA		C
"	10-234	AA		C
"	10-235	AA		C
"	10-237	AA		C
VRS-TS2AD221J	10- 74	AA		C
"	10- 78	AA		C
"	10-140	AA		C
"	10-141	AA		C
"	10-156	AA		C
"	10-215	AA		C

PARTS CODE	NO.	PRICE RANK	NEW MARK	PART RANK
VRS-TS2AD221J	10-219	AA		C
"	10-221	AA		C
"	10-250	AA		C
VRS-TS2AD222J	10-182	AA		C
"	10-211	AA		C
"	10-213	AA		C
"	10-252	AA		C
VRS-TS2AD223J	10-181	AA		C
"	10-192	AA		C
"	10-195	AA		C
"	10-198	AA		C
"	10-212	AA		C
"	10-222	AA		C
"	10-224	AA		C
"	10-283	AA		C
VRS-TS2AD242J	10-232	AA		C
"	10-239	AA		C
VRS-TS2AD330J	10-270	AA		C
VRS-TS2AD331J	10-242	AA		C
"	10-245	AA		C
"	10-258	AA		C
"	10-265	AA		C
VRS-TS2AD332J	10-278	AA		C
VRS-TS2AD391J	10-179	AA		C
"	10-233	AA		C
VRS-TS2AD392J	10-277	AA		C
VRS-TS2AD471J	10-220	AA		C
"	10-244	AA		C
VRS-TS2AD472J	10-273	AA		C
"	10-286	AA		C
"	10-288	AA		C
VRS-TS2AD473J	10-199	AA		C
"	10-238	AA		C
"	10-243	AA		C
"	10-272	AA		C
VRS-TS2AD510J	10-175	AA		C
VRS-TS2AD512J	10-191	AA		C
"	10-197	AA		C
VRS-TS2AD562J	10-249	AA		C
"	10-261	AA		C
VRS-TS2AD683J	10-274	AA		C
VRSTS2AD1542F	10-263	AC	N	C
VRSTS2AD2153F	10-267	AA	N	C
VRSTS2AD2433F	10-268	AA	N	C
VRSTS2AD3740F	10-253	AA	N	C
VRSTS2AD3921F	10-255	AA		C
VRSTS2AD4642F	10-256	AA		C
"	10-259	AA		C
VRSTS2AD4872F	10-251	AA	N	C
VRSTS2AD5112F	10-246	AA		C
"	10-260	AA		C
VRSTS2AD5622F	10-247	AB		C
"	10-254	AB		C
"	10-279	AB		C
VS2SA933AS/-1	12-114	AC		B
"	12-116	AC		B
"	12-118	AC		B
VS2SC1214-C-1	10-161	AE		B
"	10-166	AE		B
"	13- 15	AE		B
VS2SC1815//-1	12-112	AD		B
"	12-113	AD		B
"	12-119	AD		B
VS2SC3382-/-1	10-160	AD	N	B
"	10-162	AD	N	B
VS2SC3708-/-1	10-164	AD	N	B
VS2SC5291-/-1	10-165	AE	N	B
VS2SC945///-1	13- 14	AD		B
VS2SD1264-/-1	12-115	AF		B
"	12-117	AF		B
VS2SD1581-/-1	10-163	AG	N	B
VVLHLM3212-01	11- 9	BA	N	B
[X]				
XBPSD16P08000	5- 39	AA		C
XBPSD30P06KS0	12-213	AA		C
XBPSD30P10KS0	12-214	AB		C
XPSE30P28000	1- 23	AA		C
XBPSN30P05K00	8- 3	AA		C
XBPSN30P06000	1- 21	AA		C
XBPSN30P06K00	5- 34	AB		C
XBPSN30P06KS0	8- 33	AA		C

PARTS CODE	NO.	PRICE RANK	NEW MARK	PART RANK
XBPSN40P06K00	1- 20	AA		C
XEBS330P08000	4- 42	AA		C
XEBSD20P06000	3- 22	AA		C
XEBSD20P08000	2- 14	AA		C
XEBSD23P08000	5- 46	AA		C
XEBSD30P06000	2- 4	AA		C
XEBSD30P08000	5- 19	AA		C
"	6- 1	AA		C
"	7- 14	AA		C
"	8- 21	AA		C
XEBSD30P10000	8- 29	AA		C
XEBSD40P08000	7- 46	AA		C
XEBSD40P10000	1- 19	AA		C
"	4- 24	AA		C
XEBSE30P08000	1- 17	AA		C
"	3- 13	AA		C
"	4- 13	AA		C
XEBSE30P10000	1- 16	AA		C
"	5- 36	AA		C
XEPSD26P06000	4- 9	AA		C
XEPSD30P05000	4- 48	AA		C
XEPSD30P08X00	5- 21	AA		C
XESSE26P06000	4- 50	AA		C
XHBSD30P06000	1- 22	AA		C
"	4- 23	AA		C
"	5- 25	AA		C
"	6- 6	AA		C
XHBSE30P08000	1- 18	AA		C
XHPSD23P10000	5- 43	AA		C
XNESD30-24000	1- 25	AA		C
XNGSN30-18000	8- 4	AC		C
XWHSD30-05080	4- 39	AA		C
"	8- 35	AA		C
XWVUW30-04000	8- 37	AA		C



# SHARP

**COPYRIGHT © 1998 BY SHARP CORPORATION**

All rights reserved.

Printed in Japan.

No part of this publication may be reproduced,  
stored in a retrieval system, or transmitted,  
in any form or by any means,  
electronic, mechanical, photocopying, recording, or otherwise,  
without prior written permission of the publisher.

**SHARP CORPORATION**  
Printing & Reprographic Systems Group  
Quality & Reliability Control Center  
Yamatokoriyama, Nara 639-1186, Japan  
1998 January Printed in Japan ®